

## FEATURES

- Three-Terminal Adjustable
- Output Current of 3A, 5A or 7.5A
- Operates Down to 1V Dropout
- Guaranteed Dropout Voltage at Multiple Current Levels
- Line Regulation: 0.015%
- Load Regulation: 0.01%
- 100% Thermal Limit Functional Test
- Fixed Versions Available

## APPLICATIONS

- High Efficiency Linear Regulators
- Post Regulators for Switching Supplies
- Constant Current Regulators
- Battery Chargers

DEVICE	OUTPUT CURRENT*
LT1083	7.5A
LT1084	5.0A
LT1085	3.0A

\*For a 1.5A low dropout regulator see the LT1086 data sheet.

## DESCRIPTION

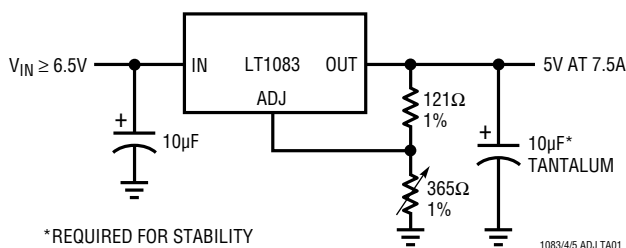
The LT1083 series of positive adjustable regulators are designed to provide 7.5A, 5A and 3A with higher efficiency than currently available devices. All internal circuitry is designed to operate down to 1V input-to-output differential and the dropout voltage is fully specified as a function of load current. Dropout is guaranteed at a maximum of 1.5V at maximum output current, decreasing at lower load currents. On-chip trimming adjusts the reference voltage to 1%. Current limit is also trimmed, minimizing the stress on both the regulator and power source circuitry under overload conditions.

The LT1083/LT1084/LT1085 devices are pin compatible with older three-terminal regulators. A 10 $\mu$ F output capacitor is required on these new devices. However, this is included in most regulator designs.

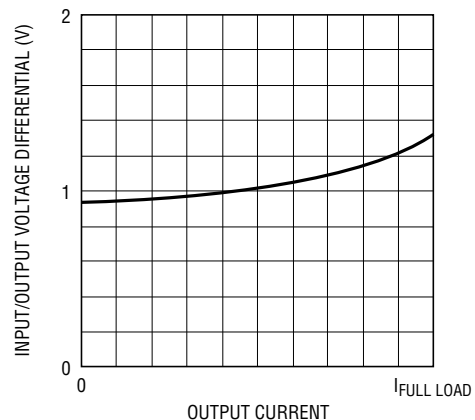
Unlike PNP regulators, where up to 10% of the output current is wasted as quiescent current, the LT1083 quiescent current flows into the load, increasing efficiency.

## TYPICAL APPLICATION

5V, 7.5A Regulator



Dropout Voltage vs Output Current



## ABSOLUTE MAXIMUM RATINGS

Power Dissipation .....	Internally Limited
Input-to-Output Voltage Differential	
“C” Grades .....	30V
“I” Grades .....	30V
“M” Grades .....	35V
Operating Junction Temperature Range	
“C” Grades: Control Section .....	0°C to 125°C
Power Transistor .....	0°C to 150°C
“I” Grades: Control Section .....	-40°C to 125°C
Power Transistor .....	-40°C to 150°C

“M” Grades: Control Section .....	-55°C to 150°C
Power Transistor .....	-55°C to 200°C
Storage Temperature Range .....	-65°C to 150°C
Lead Temperature (Soldering, 10 sec) .....	300°C

## PRECONDITIONING

100% thermal shutdown functional test.

## PACKAGE/ORDER INFORMATION

<p>FRONT VIEW</p> <p>T PACKAGE 3-LEAD PLASTIC TO-220 <math>\theta_{JA} = 50^\circ\text{C/W}</math></p>	<p>ORDER PART NUMBER</p> <p>LT1084CT LT1084IT LT1085CT LT1085IT</p>	<p>FRONT VIEW</p> <p>P PACKAGE 3-LEAD PLASTIC TO-3P <math>\theta_{JA} = 35^\circ\text{C/W}</math></p>	<p>ORDER PART NUMBER</p> <p>LT1083CP LT1084CP</p>
<p>BOTTOM VIEW</p> <p>K PACKAGE 2-LEAD TO-3 METAL CAN <math>\theta_{JA} = 35^\circ\text{C/W}</math></p>	<p>LT1083CK LT1083MK LT1084CK LT1084MK LT1085CK LT1085MK</p>	<p>FRONT VIEW</p> <p>M PACKAGE 3-LEAD PLASTIC DD <math>\theta_{JA} = 30^\circ\text{C/W}^*</math></p> <p><small>*WITH PACKAGE SOLDERED TO 0.5IN<sup>2</sup> COPPER AREA OVER BACKSIDE GROUND PLANE OR INTERNAL POWER PLANE. <math>\theta_{JA}</math> CAN VARY FROM 20°C/W TO &gt; 40°C/W DEPENDING ON MOUNTING TECHNIQUE.</small></p>	<p>LT1084CM LT1085CM</p>

## ELECTRICAL CHARACTERISTICS

PARAMETER	CONDITIONS	MIN	TYP	MAX	UNITS
Reference Voltage	$I_{OUT} = 10\text{mA}$ , $T_J = 25^\circ\text{C}$ , $(V_{IN} - V_{OUT}) = 3\text{V}$ $10\text{mA} \leq I_{OUT} \leq I_{FULL\ LOAD}$ $1.5\text{V} \leq (V_{IN} - V_{OUT}) \leq 25\text{V}$ (Notes 3, 5, 6)	1.238	1.250	1.262	V
		1.225	1.250	1.270	V
Line Regulation	$I_{LOAD} = 10\text{mA}$ , $1.5\text{V} \leq (V_{IN} - V_{OUT}) \leq 15\text{V}$ , $T_J = 25^\circ\text{C}$ (Notes 1, 2)		0.015	0.2	%
			0.035	0.2	%
	M Grade: $15\text{V} \leq (V_{IN} - V_{OUT}) \leq 35\text{V}$ (Notes 1, 2)		0.05	0.5	%
	C, I Grades: $15\text{V} \leq (V_{IN} - V_{OUT}) \leq 30\text{V}$ (Notes 1, 2)		0.05	0.5	%

## ELECTRICAL CHARACTERISTICS

PARAMETER	CONDITIONS		MIN	TYP	MAX	UNITS
Load Regulation	$(V_{IN} - V_{OUT}) = 3V$ $10mA \leq I_{OUT} \leq I_{FULL\ LOAD}$ $T_J = 25^\circ C$ (Notes 1, 2, 3, 5)	●		0.1	0.3	%
				0.2	0.4	%
Dropout Voltage	$\Delta V_{REF} = 1\%$ , $I_{OUT} = I_{FULLLOAD}$ (Notes 4, 5, 7)	●		1.3	1.5	V
Current Limit						
LT1083	$(V_{IN} - V_{OUT}) = 5V$	●	8.0	9.5		A
	$(V_{IN} - V_{OUT}) = 25V$	●	0.4	1.0		A
LT1084	$(V_{IN} - V_{OUT}) = 5V$	●	5.5	6.5		A
	$(V_{IN} - V_{OUT}) = 25V$	●	0.3	0.6		A
LT1085	$(V_{IN} - V_{OUT}) = 5V$	●	3.2	4.0		A
	$(V_{IN} - V_{OUT}) = 25V$	●	0.2	0.5		A
Minimum Load Current	$(V_{IN} - V_{OUT}) = 25V$	●		5	10	mA
Thermal Regulation	$T_A = 25^\circ C$ , 30ms Pulse					
LT1083				0.002	0.010	%/W
LT1084				0.003	0.015	%/W
LT1085				0.004	0.020	%/W
Ripple Rejection	$f = 120Hz$ , $C_{ADJ} = 25\mu F$ , $C_{OUT} = 25\mu F$ Tantalum $I_{OUT} = I_{FULL\ LOAD}$ , $(V_{IN} - V_{OUT}) = 3V$ (Notes 5, 6, 7)	●	60	75		dB
Adjust Pin Current	$T_J = 25^\circ C$	●		55		$\mu A$
					120	$\mu A$
Adjust Pin Current Change	$10mA \leq I_{OUT} \leq I_{FULL\ LOAD}$ $1.5V \leq (V_{IN} - V_{OUT}) \leq 25V$ (Note 5)	●		0.2	5	$\mu A$
Temperature Stability		●		0.5		%
Long Term Stability	$T_A = 125^\circ C$ , 1000 Hrs			0.3	1	%
RMS Output Noise (% of $V_{OUT}$ )	$T_A = 25^\circ C$ $10Hz \leq f \leq 10kHz$			0.003		%
Thermal Resistance Junction-to-Case	Control Circuitry/Power Transistor					
LT1083	K Package				0.6/1.6	$^\circ C/W$
	P Package				0.5/1.6	$^\circ C/W$
LT1084	K Package				0.75/2.3	$^\circ C/W$
	P Package				0.65/2.3	$^\circ C/W$
	M, T Packages				0.65/2.7	$^\circ C/W$
LT1085	K Package				0.9/3.0	$^\circ C/W$
	M, T Packages				0.7/3.0	$^\circ C/W$

The ● denotes the specifications which apply over the full operating temperature range.

**Note 1:** See thermal regulation specifications for changes in output voltage due to heating effects. Load and line regulation are measured at a constant junction temperature by low duty cycle pulse testing.

**Note 2:** Line and load regulation are guaranteed up to the maximum power dissipation (60W for the LT1083, 45W for the LT1084 (K, P), 30W for the LT1084 (T) and 30W for the LT1085). Power dissipation is determined by the input/output differential and the output current. Guaranteed maximum power dissipation will not be available over the full input/output voltage range.

**Note 3:**  $I_{FULL\ LOAD}$  is defined in the current limit curves. The  $I_{FULLLOAD}$  curve is defined as the minimum value of current limit as a function of

input-to-output voltage. Note that the 60W power dissipation for the LT1083 (45W for the LT1084 (K, P), 30W for the LT1084 (T), 30W for the LT1085) is only achievable over a limited range of input-to-output voltage.

**Note 4:** Dropout voltage is specified over the full output current range of the device. Test points and limits are shown on the Dropout Voltage curve.

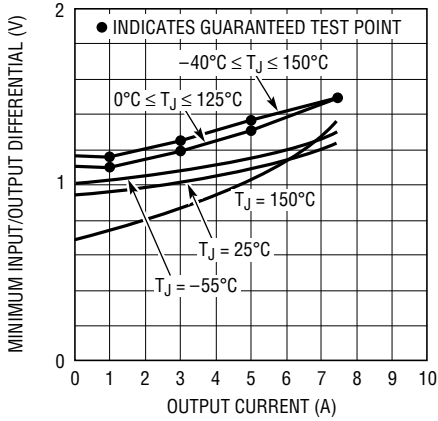
**Note 5:** For LT1083  $I_{FULL\ LOAD}$  is 5A for  $-55^\circ C \leq T_J < -40^\circ C$  and 7.5A for  $T_J \geq -40^\circ C$ .

**Note 6:**  $1.7V \leq (V_{IN} - V_{OUT}) \leq 25V$  for LT1084 at  $-55^\circ C \leq T_J \leq -40^\circ C$ .

**Note 7:** Dropout is 1.7V maximum for LT1084 at  $-55^\circ C \leq T_J \leq -40^\circ C$ .

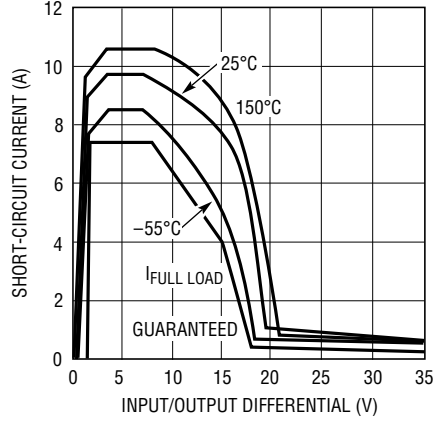
## TYPICAL PERFORMANCE CHARACTERISTICS

**LT1083**  
Dropout Voltage



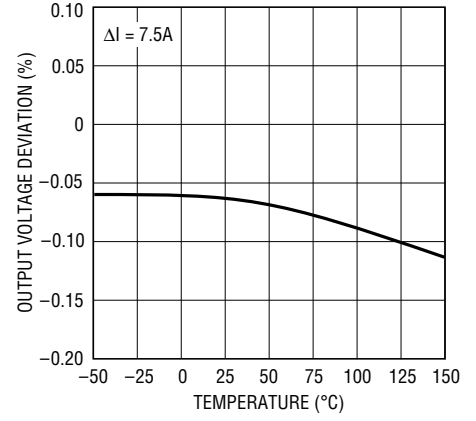
LT1083/4/5 ADJ G01

**LT1083**  
Short-Circuit Current



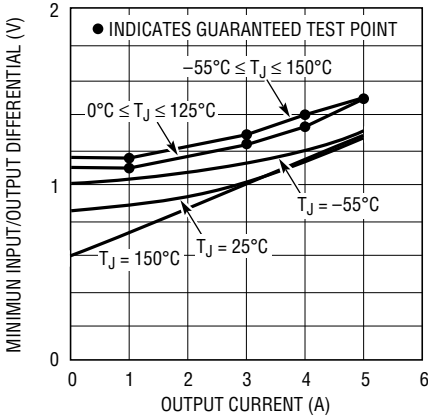
LT1083/4/5 ADJ G02

**LT1083**  
Load Regulation



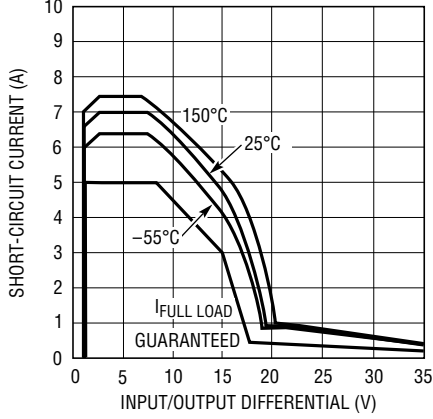
LT1083/4/5 ADJ G03

**LT1084**  
Dropout Voltage



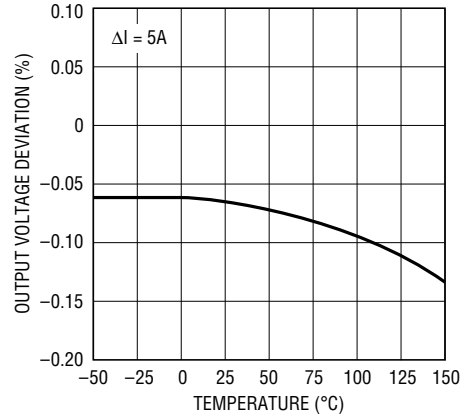
LT1083/4/5 ADJ G04

**LT1084**  
Short-Circuit Current



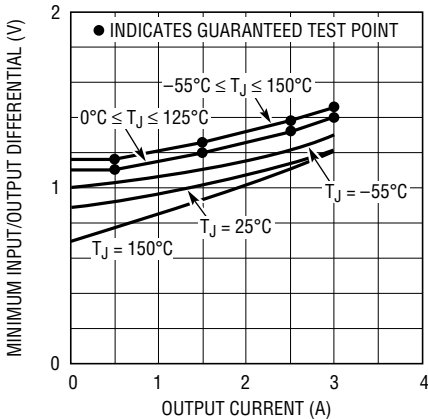
LT1083/4/5 ADJ G05

**LT1084**  
Load Regulation



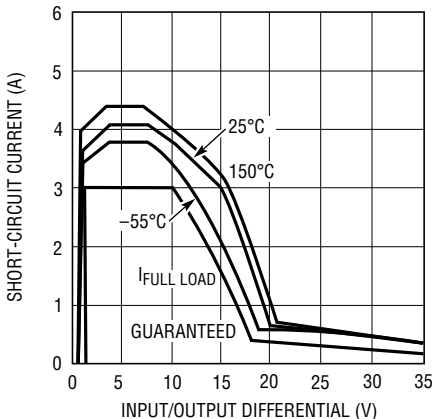
LT1083/4/5 ADJ G06

**LT1085**  
Dropout Voltage



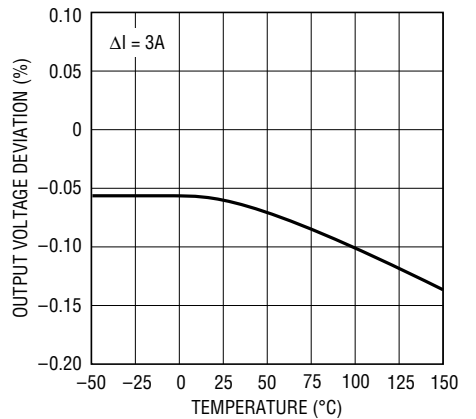
LT1083/4/5 ADJ G07

**LT1085**  
Short-Circuit Current



LT1083/4/5 ADJ G08

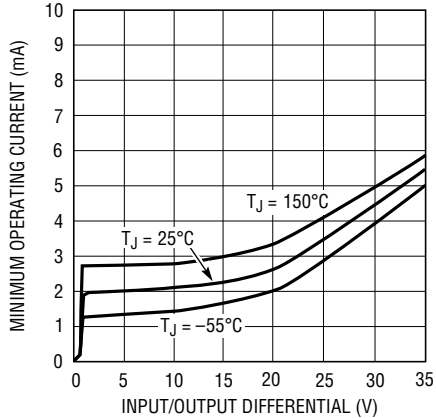
**LT1085**  
Load Regulation



LT1083/4/5 ADJ G09

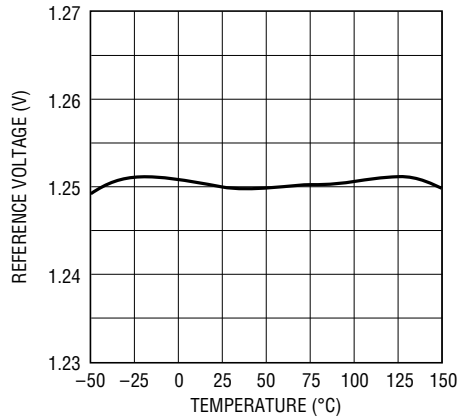
# TYPICAL PERFORMANCE CHARACTERISTICS

**Minimum Operating Current**



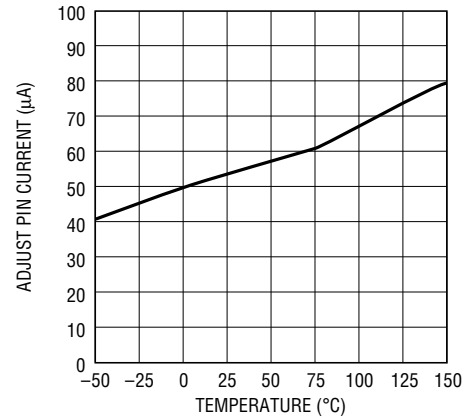
LT1083/4/5 ADJ G10

**Temperature Stability**



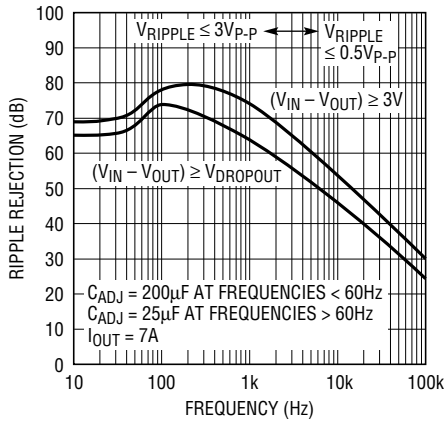
LT1083/4/5 ADJ G11

**Adjust Pin Current**



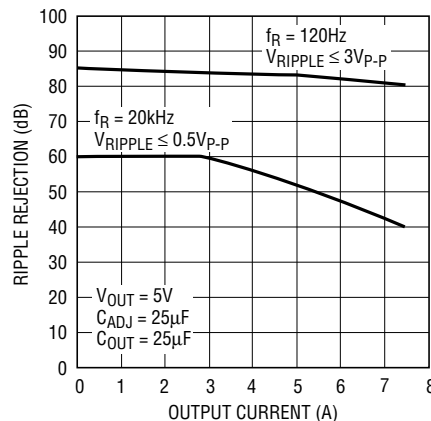
LT1083/4/5 ADJ G12

**LT1083  
Ripple Rejection**



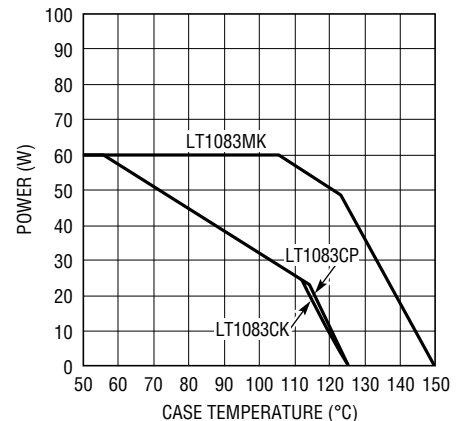
1083/4/5 ADJ G13

**LT1083  
Ripple Rejection vs Current**



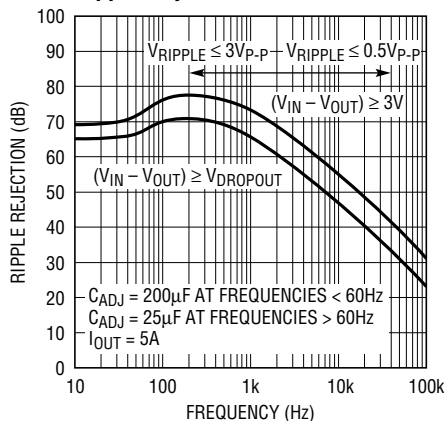
1083/4/5 ADJ G14

**LT1083  
Maximum Power Dissipation\***



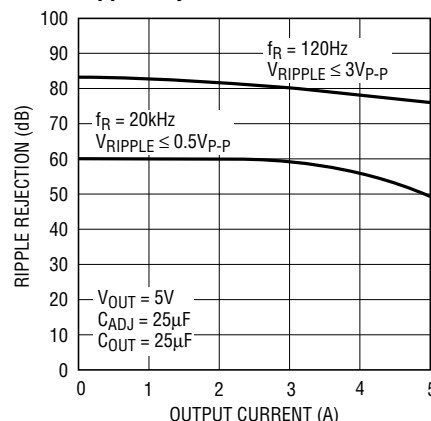
\* AS LIMITED BY MAXIMUM JUNCTION TEMPERATURE  
LT1083/4/5 ADJ G15

**LT1084  
Ripple Rejection**



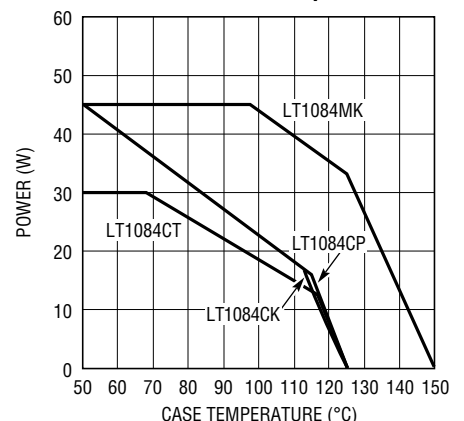
1083/4/5 ADJ G16

**LT1084  
Ripple Rejection vs Current**



1083/4/5 ADJ G17

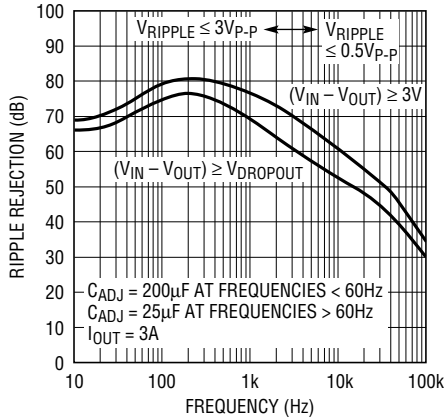
**LT1084  
Maximum Power Dissipation\***



\* AS LIMITED BY MAXIMUM JUNCTION TEMPERATURE  
LT1083/4/5 ADJ G18

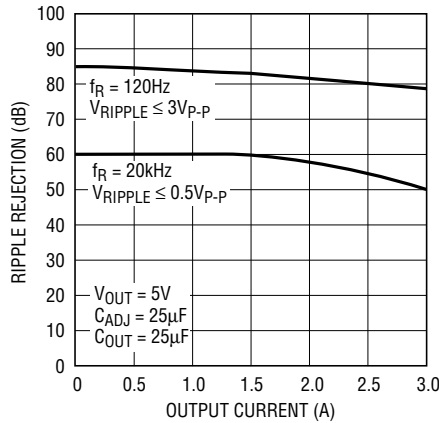
# TYPICAL PERFORMANCE CHARACTERISTICS

**LT1085**  
Ripple Rejection



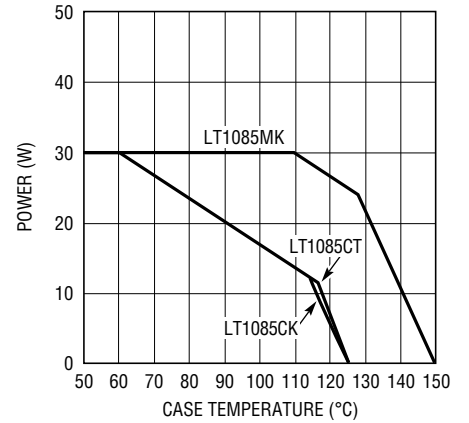
1083/4/5 ADJ G19

**LT1085**  
Ripple Rejection vs Current



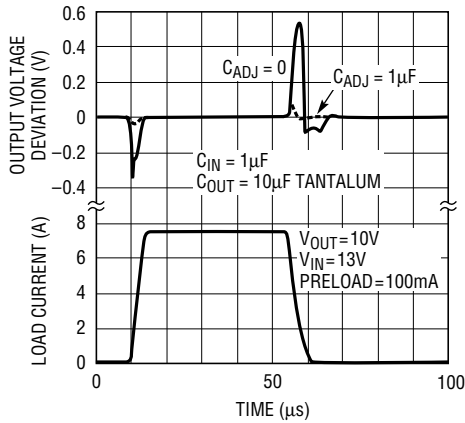
1083/4/5 ADJ G20

**LT1085**  
Maximum Power Dissipation\*



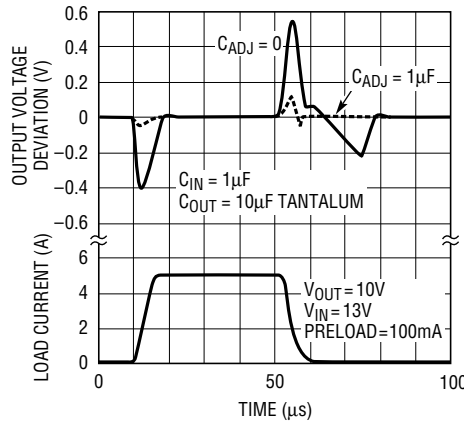
\* AS LIMITED BY MAXIMUM JUNCTION TEMPERATURE  
LT1083/4/5 ADJ G21

**LT1083**  
Load Transient Response



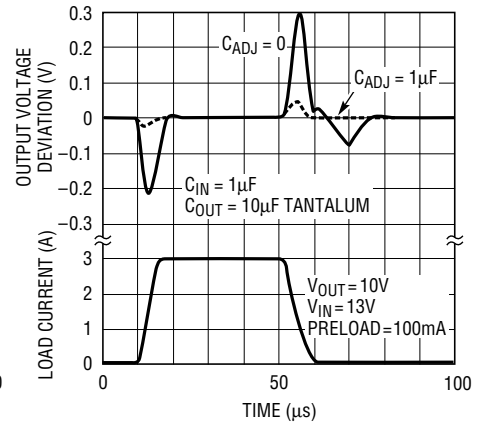
1083/4/5 ADJ G22

**LT1084**  
Load Transient Response



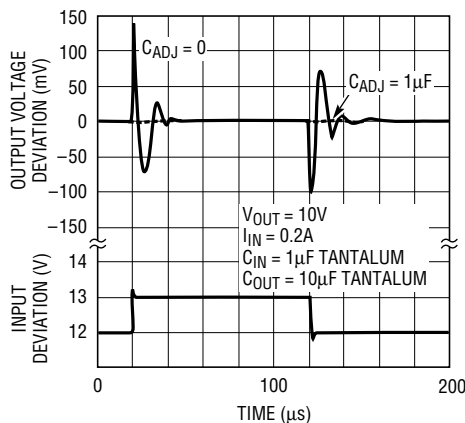
1083/4/5 ADJ G23

**LT1085**  
Load Transient Response



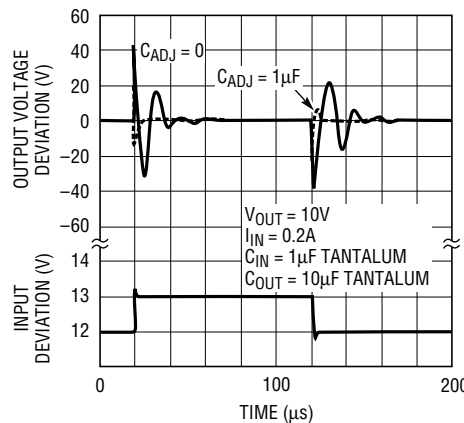
1083/4/5 ADJ G24

**LT1083**  
Line Transient Response



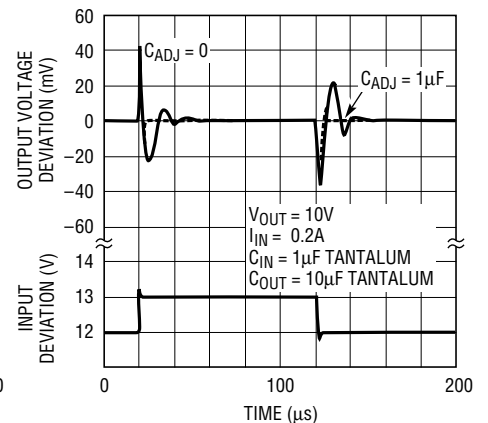
1083/4/5 ADJ G25

**LT1084**  
Line Transient Response



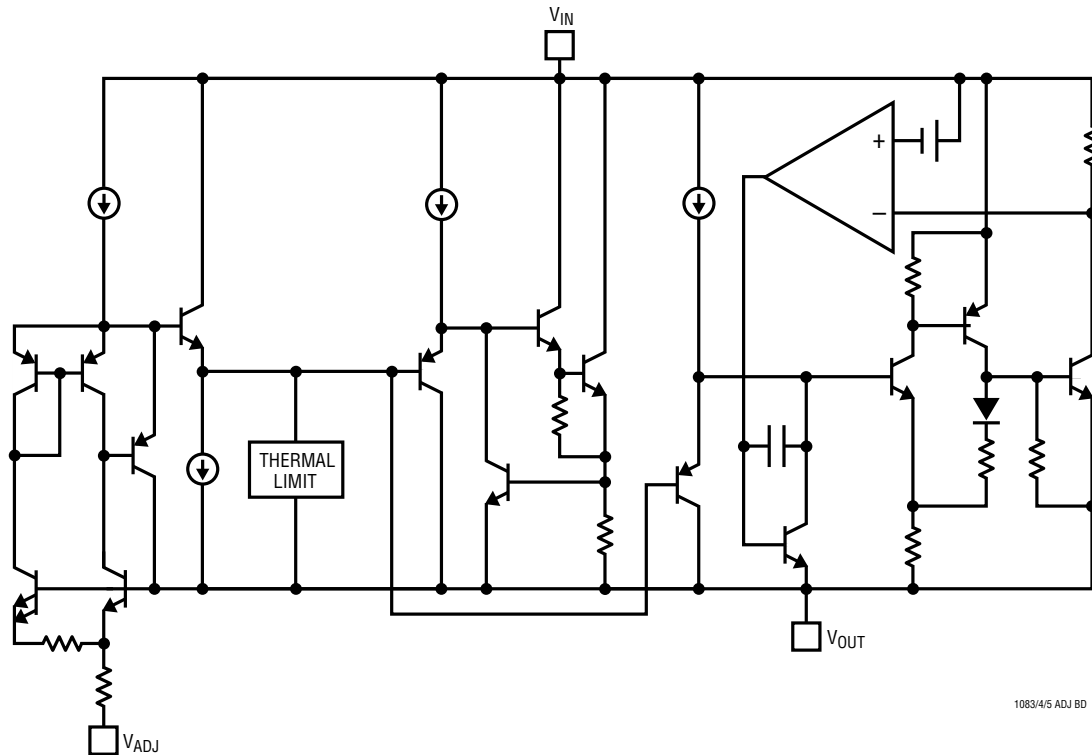
1083/4/5 ADJ G26

**LT1085**  
Line Transient Response



1083/4/5 ADJ G27

## BLOCK DIAGRAM



## APPLICATIONS INFORMATION

The LT1083 family of three-terminal adjustable regulators is easy to use and has all the protection features that are expected in high performance voltage regulators. They are short-circuit protected, and have safe area protection as well as thermal shutdown to turn off the regulator should the junction temperature exceed about 165°C.

These regulators are pin compatible with older three-terminal adjustable devices, offer lower dropout voltage and more precise reference tolerance. Further, the reference stability with temperature is improved over older types of regulators. The only circuit difference between using the LT1083 family and older regulators is that this new family requires an output capacitor for stability.

### Stability

The circuit design used in the LT1083 family requires the use of an output capacitor as part of the device frequency compensation. For all operating conditions, the addition of 150µF aluminium electrolytic or a 22µF solid tantalum on

the output will ensure stability. Normally, capacitors much smaller than this can be used with the LT1083. Many different types of capacitors with widely varying characteristics are available. These capacitors differ in capacitor tolerance (sometimes ranging up to ±100%), equivalent series resistance, and capacitance temperature coefficient. The 150µF or 22µF values given will ensure stability.

When the adjustment terminal is bypassed to improve the ripple rejection, the requirement for an output capacitor increases. The value of 22µF tantalum or 150µF aluminium covers all cases of bypassing the adjustment terminal. Without bypassing the adjustment terminal, smaller capacitors can be used with equally good results and the table below shows approximately what size capacitors are needed to ensure stability.

### Recommended Capacitor Values

INPUT	OUTPUT	ADJUSTMENT
10µF	10µF Tantalum, 50µF Aluminium	None
10µF	22µF Tantalum, 150µF Aluminium	20µF

## APPLICATIONS INFORMATION

Normally, capacitor values on the order of 100 $\mu$ F are used in the output of many regulators to ensure good transient response with heavy load current changes. Output capacitance can be increased without limit and larger values of output capacitor further improve stability and transient response of the LT1083 regulators.

Another possible stability problem that can occur in monolithic IC regulators is current limit oscillations. These can occur because, in current limit, the safe area protection exhibits a negative impedance. The safe area protection decreases the current limit as the input-to-output voltage increases. That is the equivalent of having a negative resistance since increasing voltage causes current to decrease. Negative resistance during current limit is not unique to the LT1083 series and has been present on all power IC regulators. The value of the negative resistance is a function of how fast the current limit is folded back as input-to-output voltage increases. This negative resistance can react with capacitors or inductors on the input to cause oscillation during current limiting. Depending on the value of series resistance, the overall circuitry may end up unstable. Since this is a system problem, it is not necessarily easy to solve; however, it does not cause any problems with the IC regulator and can usually be ignored.

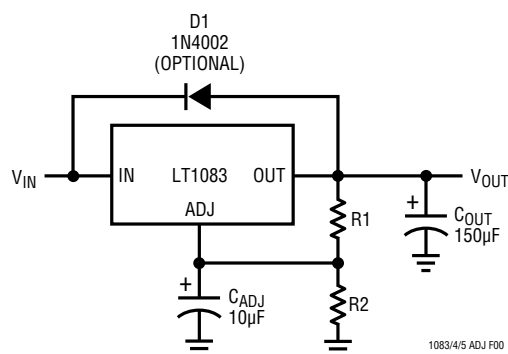
### Protection Diodes

In normal operation, the LT1083 family does not need any protection diodes. Older adjustable regulators required protection diodes between the adjustment pin and the output and from the output to the input to prevent overstressing the die. The internal current paths on the LT1083 adjustment pin are limited by internal resistors. Therefore, even with capacitors on the adjustment pin, no protection diode is needed to ensure device safety under short-circuit conditions.

Diodes between input and output are usually not needed. The internal diode between the input and the output pins of the LT1083 family can handle microsecond surge currents of 50A to 100A. Even with large output capacitances, it is very difficult to get those values of surge currents in normal operations. Only with a high value of output capacitors, such as 1000 $\mu$ F to 5000 $\mu$ F and with the

input pin instantaneously shorted to ground, can damage occur. A crowbar circuit at the input of the LT1083 can generate those kinds of currents, and a diode from output to input is then recommended. Normal power supply cycling or even plugging and unplugging in the system will not generate current large enough to do any damage.

The adjustment pin can be driven on a transient basis  $\pm 25$ V, with respect to the output without any device degradation. Of course, as with any IC regulator, exceeding the maximum input to output voltage differential causes the internal transistors to break down and none of the protection circuitry is functional.



### Overload Recovery

Like any of the IC power regulators, the LT1083 has safe area protection. The safe area protection decreases the current limit as input-to-output voltage increases and keeps the power transistor inside a safe operating region for all values of input-to-output voltage. The LT1083 protection is designed to provide some output current at all values of input-to-output voltage up to the device breakdown.

When power is first turned on, as the input voltage rises, the output follows the input, allowing the regulator to start up into very heavy loads. During the start-up, as the input voltage is rising, the input-to-output voltage differential remains small, allowing the regulator to supply large output currents. With high input voltage, a problem can occur wherein removal of an output short will not allow the output voltage to recover. Older regulators, such as the 7800 series, also exhibited this phenomenon, so it is not unique to the LT1083.



## APPLICATIONS INFORMATION

The problem occurs with a heavy output load when the input voltage is high and the output voltage is low, such as immediately after removal of a short. The load line for such a load may intersect the output current curve at two points. If this happens, there are two stable output operating points for the regulator. With this double intersection, the power supply may need to be cycled down to zero and brought up again to make the output recover.

### Ripple Rejection

The typical curves for ripple rejection reflect values for a bypassed adjustment pin. This curve will be true for all values of output voltage. For proper bypassing and ripple rejection approaching the values shown, the impedance of the adjust pin capacitor at the ripple frequency should be less than the value of R1, (normally 100Ω to 120Ω). The size of the required adjust pin capacitor is a function of the input ripple frequency. At 120Hz the adjust pin capacitor should be 25μF if R1 = 100Ω. At 10kHz only 0.22μF is needed.

For circuits without an adjust pin bypass capacitor, the ripple rejection will be a function of output voltage. The output ripple will increase directly as a ratio of the output voltage to the reference voltage (V<sub>OUT</sub>/V<sub>REF</sub>). For example, with the output voltage equal to 5V and no adjust pin capacitor, the output ripple will be higher by the ratio of 5V/1.25V or four times larger. Ripple rejection will be degraded by 12dB from the value shown on the typical curve.

### Output Voltage

The LT1083 develops a 1.25V reference voltage between the output and the adjust terminal (see Figure 1). By placing a resistor R1 between these two terminals, a constant current is caused to flow through R1 and down through R2 to set the overall output voltage. Normally this current is the specified minimum load current of 10mA. Because I<sub>ADJ</sub> is very small and constant when compared with the current through R1, it represents a small error and can usually be ignored.

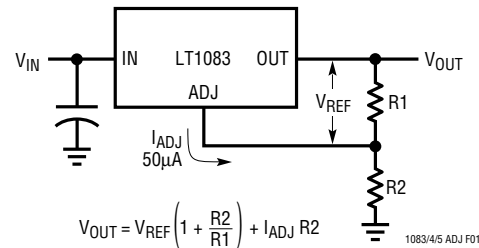


Figure 1. Basic Adjustable Regulator

### Load Regulation

Because the LT1083 is a three-terminal device, it is not possible to provide true remote load sensing. Load regulation will be limited by the resistance of the wire connecting the regulator to the load. The data sheet specification for load regulation is measured at the bottom of the package. Negative side sensing is a true Kelvin connection, with the bottom of the output divider returned to the negative side of the load. Although it may not be immediately obvious, best load regulation is obtained when the top of the resistor divider R1 is connected *directly* to the case *not to the load*. This is illustrated in Figure 2. If R1 were connected to the load, the effective resistance between the regulator and the load would be:

$$R_P \times \left( \frac{R_2 + R_1}{R_1} \right), R_P = \text{Parasitic Line Resistance}$$

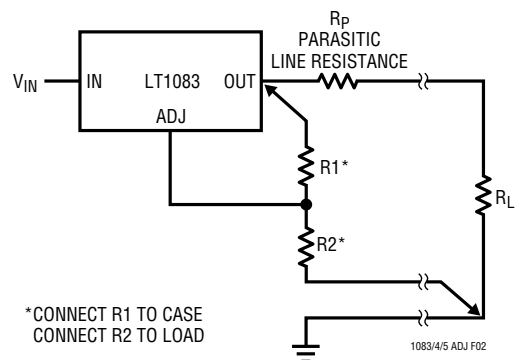


Figure 2. Connections for Best Load Regulation

## APPLICATIONS INFORMATION

Connected as shown,  $R_P$  is not multiplied by the divider ratio.  $R_P$  is about  $0.004\Omega$  per foot using 16-gauge wire. This translates to  $4\text{mV/ft}$  at  $1\text{A}$  load current, so it is important to keep the positive lead between regulator and load as short as possible and use large wire or PC board traces.

### Thermal Considerations

The LT1083 series of regulators have internal power and thermal limiting circuitry designed to protect the device under overload conditions. For continuous normal load conditions however, maximum junction temperature ratings must not be exceeded. It is important to give careful consideration to all sources of thermal resistance from junction to ambient. This includes junction-to-case, case-to-heat sink interface, and heat sink resistance itself. New thermal resistance specifications have been developed to more accurately reflect device temperature and ensure safe operating temperatures. The data section for these new regulators provides a separate thermal resistance and maximum junction temperature for both the *Control Section* and the *Power Transistor*. Previous regulators, with a single junction-to-case thermal resistance specification, used an average of the two values provided here and therefore could allow excessive junction temperatures under certain conditions of ambient temperature and heat sink resistance. To avoid this possibility, calculations should be made for both sections to ensure that both thermal limits are met.

Junction-to-case thermal resistance is specified from the IC junction to the bottom of the case directly below the die. This is the lowest resistance path for heat flow. Proper mounting is required to ensure the best possible thermal flow from this area of the package to the heat sink. Thermal

compound at the case-to-heat sink interface is strongly recommended. If the case of the device must be electrically isolated, a thermally conductive spacer can be used, as long as its added contribution to thermal resistance is considered. Note that the case of all devices in this series is electrically connected to the output.

For example, using an LT1083CK (TO-3, Commercial) and assuming:

$$V_{IN} \text{ (max continuous)} = 9\text{V}, V_{OUT} = 5\text{V}, I_{OUT} = 6\text{A},$$

$$T_A = 75^\circ\text{C}, \theta_{\text{HEAT SINK}} = 1^\circ\text{C/W},$$

$$\theta_{\text{CASE-TO-HEAT SINK}} = 0.2^\circ\text{C/W} \text{ for K package with thermal compound.}$$

Power dissipation under these conditions is equal to:

$$P_D = (V_{IN} - V_{OUT})(I_{OUT}) = 24\text{W}$$

Junction temperature will be equal to:

$$T_J = T_A + P_D (\theta_{\text{HEAT SINK}} + \theta_{\text{CASE-TO-HEAT SINK}} + \theta_{JC})$$

For the Control Section:

$$T_J = 75^\circ\text{C} + 24\text{W} (1^\circ\text{C/W} + 0.2^\circ\text{C/W} + 0.6^\circ\text{C/W}) = 118^\circ\text{C}$$

$$118^\circ\text{C} < 125^\circ\text{C} = T_{J\text{MAX}} \text{ (Control Section Commercial Range)}$$

For the Power Transistor:

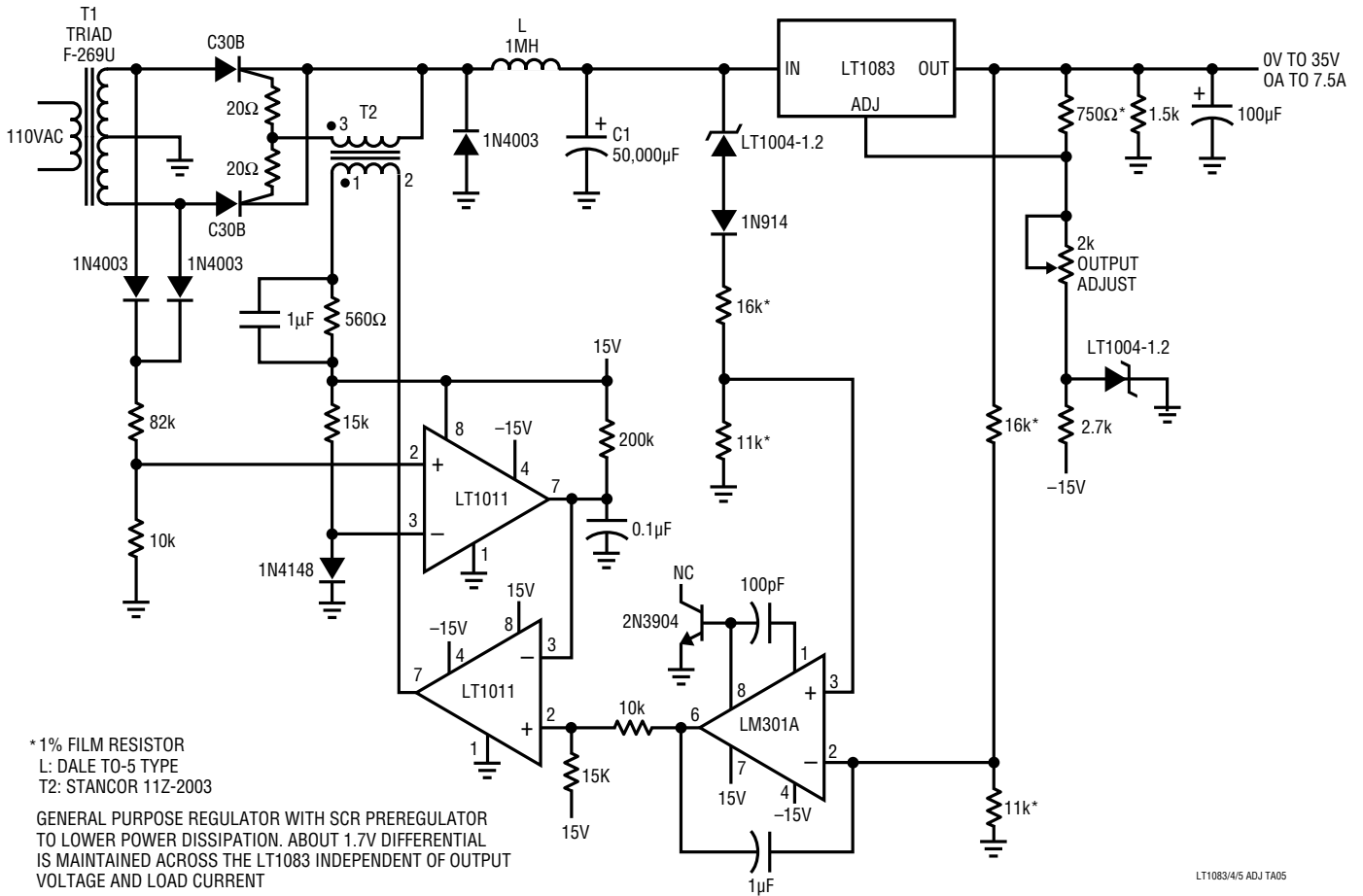
$$T_J = 75^\circ\text{C} + 24\text{W} (1^\circ\text{C/W} + 0.2^\circ\text{C/W} + 1.6^\circ\text{C/W}) = 142^\circ\text{C}$$

$$142^\circ\text{C} < 150^\circ\text{C} = T_{J\text{MAX}} \text{ (Power Transistor Commercial Range)}$$

In both cases the junction temperature is below the maximum rating for the respective sections, ensuring reliable operation.

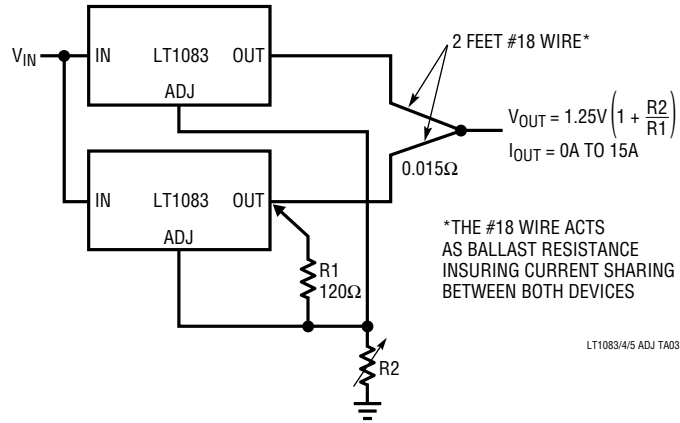
TYPICAL APPLICATIONS

7.5A Variable Regulator

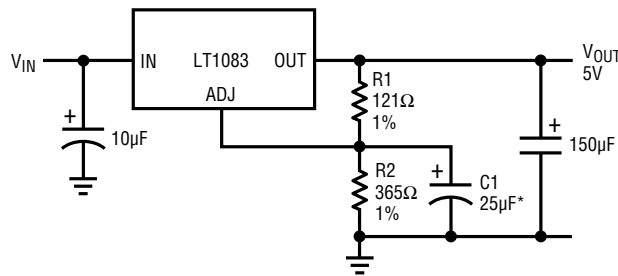


**TYPICAL APPLICATIONS**

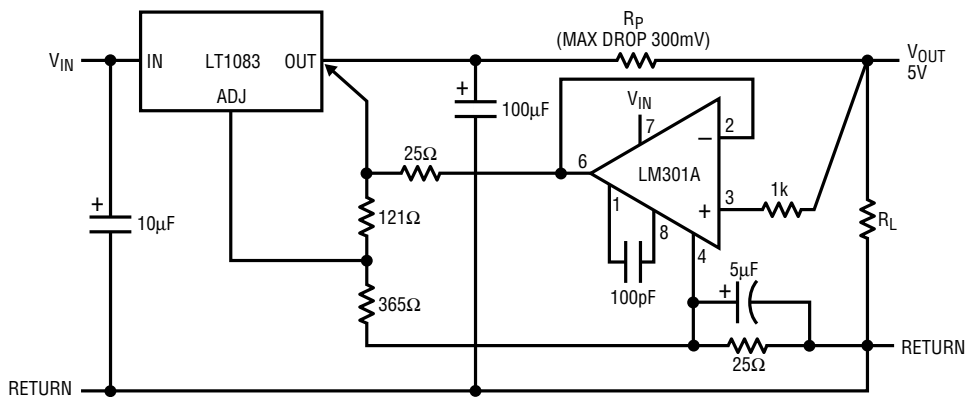
**Paralleling Regulators**



**Improving Ripple Rejection**

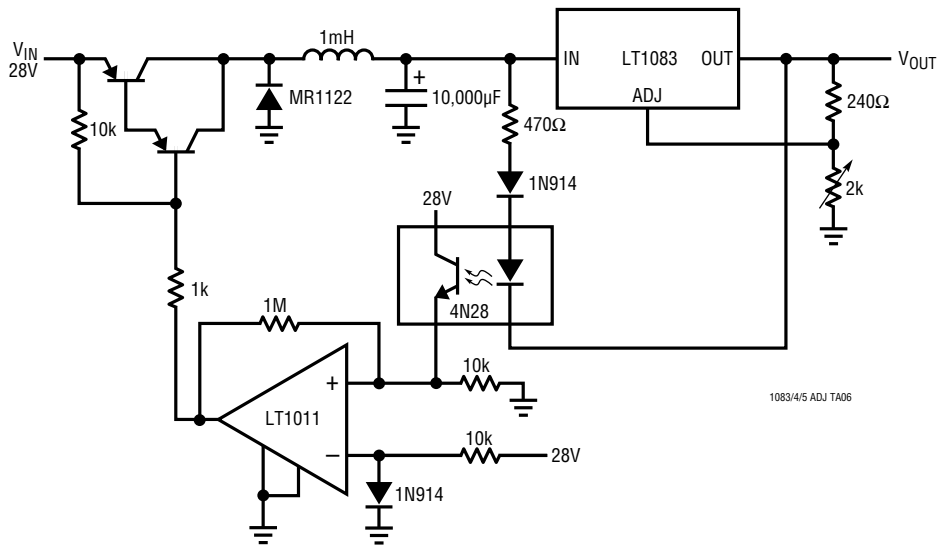


**Remote Sensing**

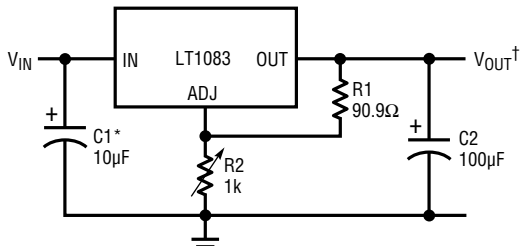


# TYPICAL APPLICATIONS

## High Efficiency Regulator with Switching Preregulator



## 1.2V to 15V Adjustable Regulator

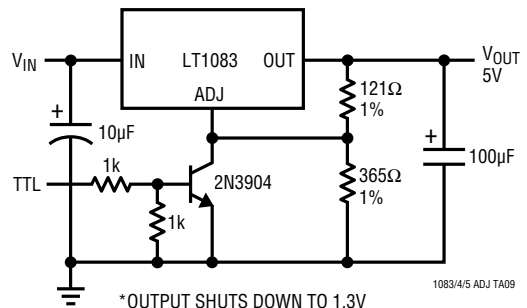


\*NEEDED IF DEVICE IS FAR FROM FILTER CAPACITORS

$$V_{OUT} = 1.25V \left( 1 + \frac{R2}{R1} \right)$$

1083/4/5 ADJ TA08

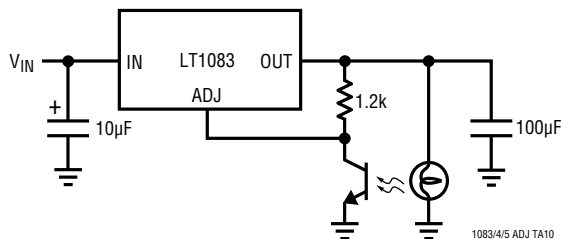
## 5V Regulator with Shutdown\*



\*OUTPUT SHUTS DOWN TO 1.3V

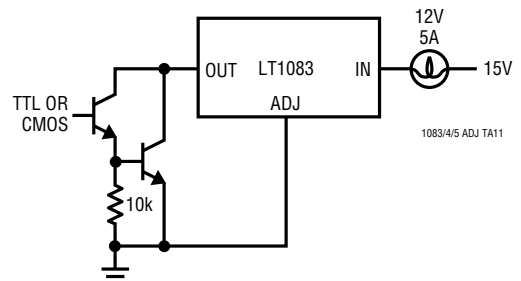
1083/4/5 ADJ TA09

## Automatic Light Control



1083/4/5 ADJ TA10

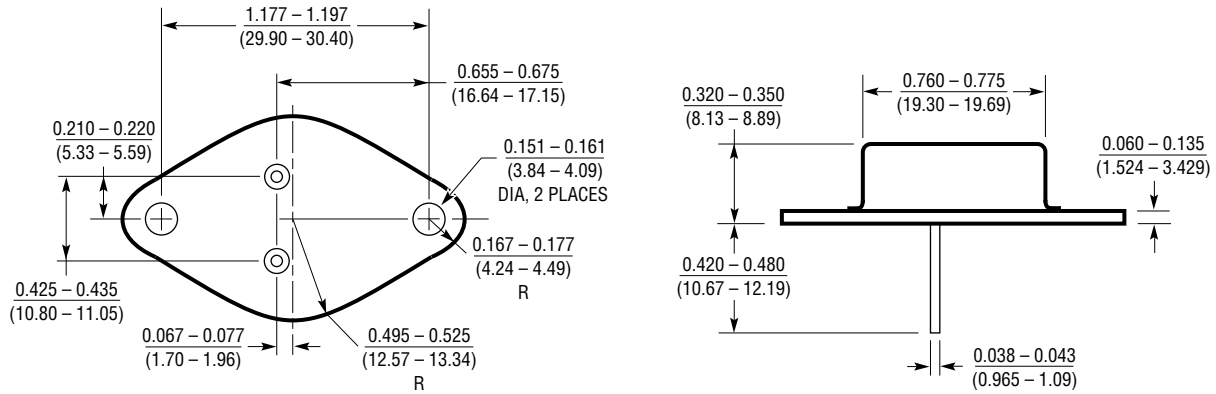
## Protected High Current Lamp Driver



1083/4/5 ADJ TA11

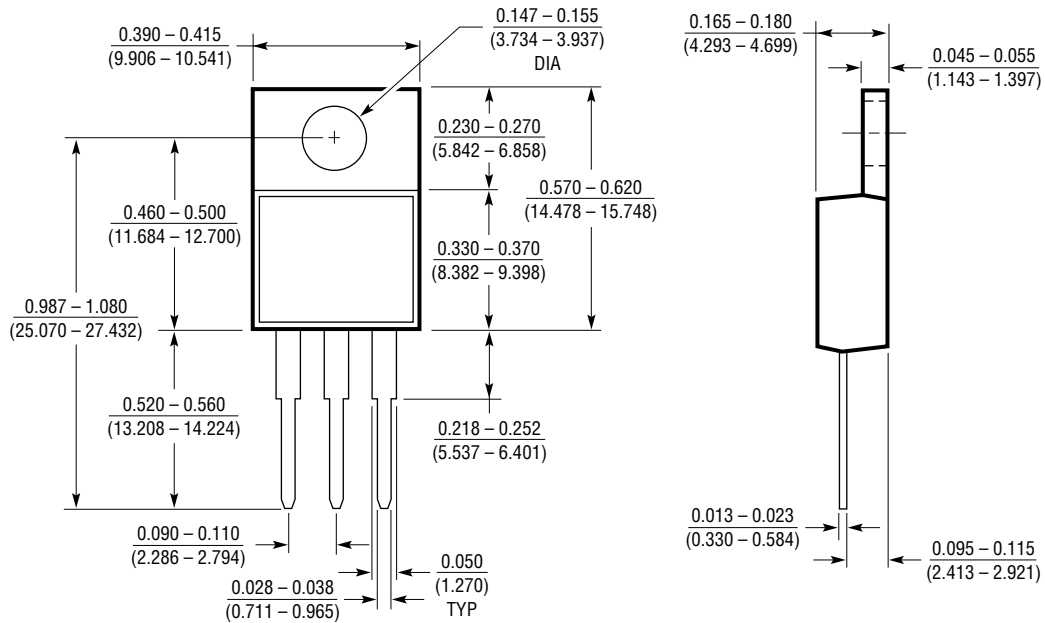
**PACKAGE DESCRIPTION** Dimension in inches (millimeters) unless otherwise noted.

**K Package**  
**2-Lead TO-3 Metal Can**



K2 0594

**T Package**  
**3-Lead Plastic TO-220**

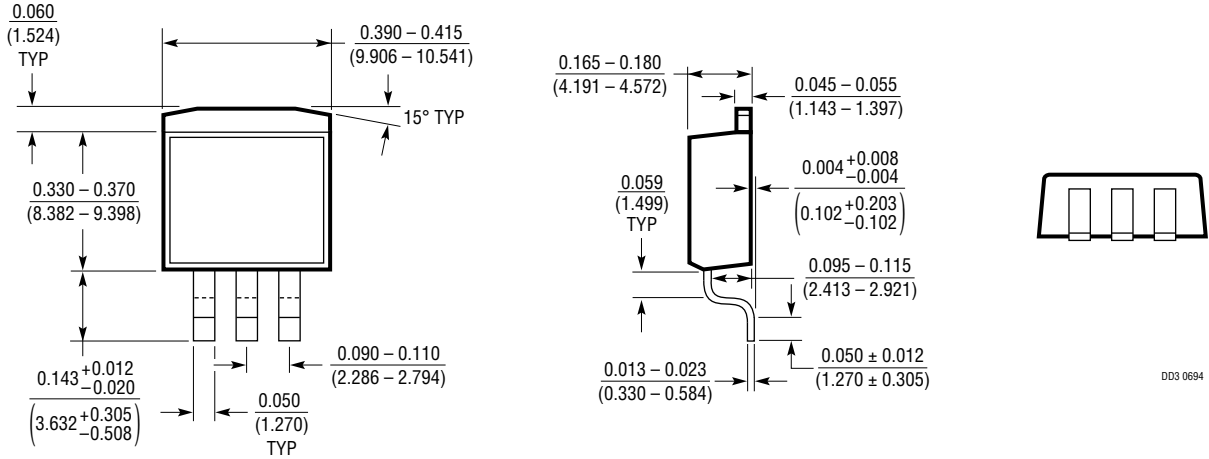


T3 0694

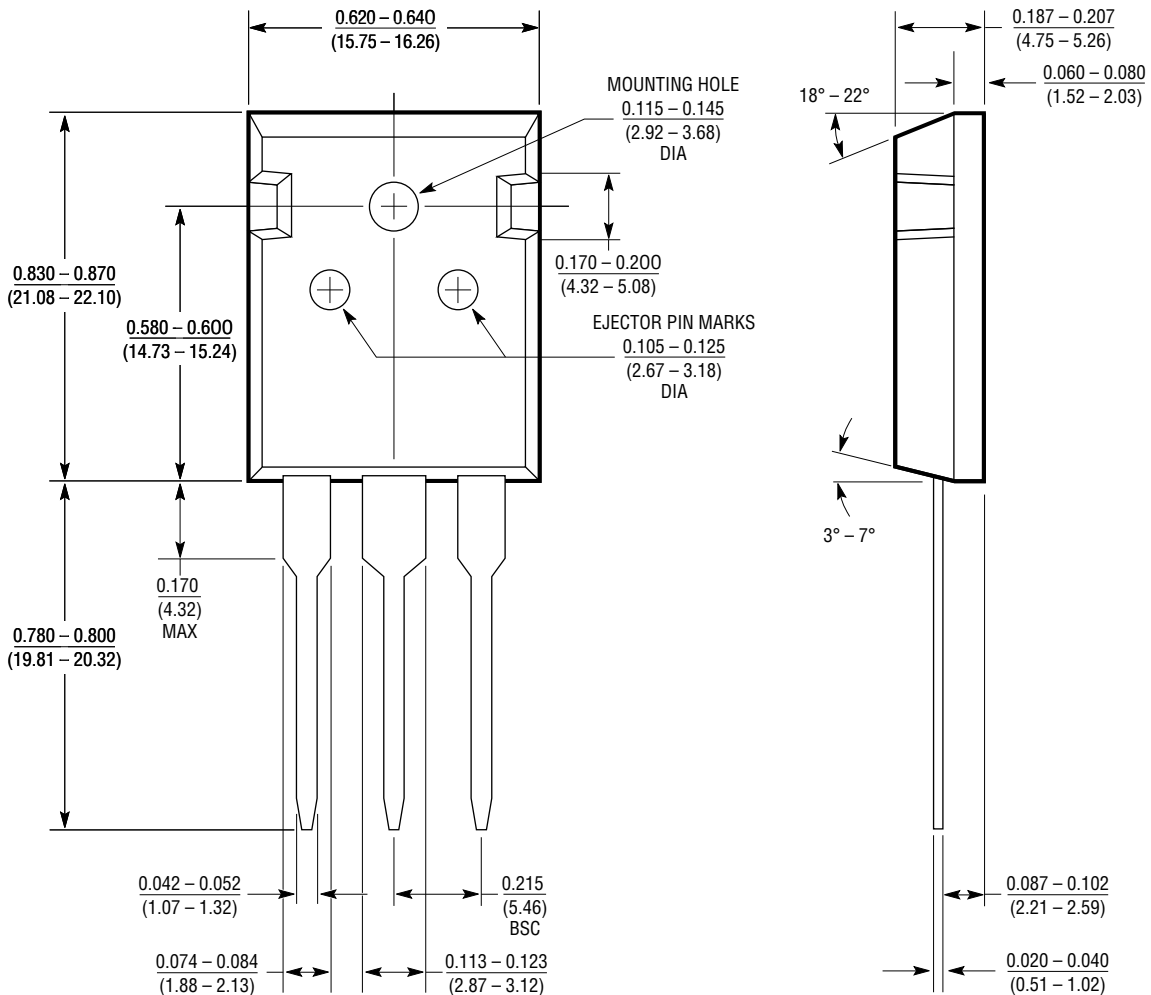
**PACKAGE DESCRIPTION**

Dimension in inches (millimeters) unless otherwise noted.

**M Package  
3-Lead DD**



**P Package  
3-Lead TO-3P Plastic**



### U.S. Area Sales Offices

#### NORTHEAST REGION

##### Linear Technology Corporation

One Oxford Valley  
2300 E. Lincoln Hwy., Suite 306  
Langhorne, PA 19047  
Phone: (215) 757-8578  
FAX: (215) 757-5631

##### Linear Technology Corporation

266 Lowell St., Suite B-8  
Wilmington, MA 01887  
Phone: (508) 658-3881  
FAX: (508) 658-2701

#### SOUTHEAST REGION

##### Linear Technology Corporation

17060 Dallas Parkway  
Suite 208  
Dallas, TX 75248  
Phone: (214) 733-3071  
FAX: (214) 380-5138

#### CENTRAL REGION

##### Linear Technology Corporation

Chesapeake Square  
229 Mitchell Court, Suite A-25  
Addison, IL 60101  
Phone: (708) 620-6910  
FAX: (708) 620-6977

#### SOUTHWEST REGION

##### Linear Technology Corporation

22141 Ventura Blvd.  
Suite 206  
Woodland Hills, CA 91364  
Phone: (818) 703-0835  
FAX: (818) 703-0517

#### NORTHWEST REGION

##### Linear Technology Corporation

782 Sycamore Dr.  
Milpitas, CA 95035  
Phone: (408) 428-2050  
FAX: (408) 432-6331

### International Sales Offices

#### FRANCE

##### Linear Technology S.A.R.L.

Immeuble "Le Quartz"  
58 Chemin de la Justice  
92290 Chatenay Malabry  
France  
Phone: 33-1-41079555  
FAX: 33-1-46314613

#### GERMANY

##### Linear Technoloy GmbH

Untere Hauptstr. 9  
D-85386 Eching  
Germany  
Phone: 49-89-3197410  
FAX: 49-89-3194821

#### JAPAN

##### Linear Technology KK

5F YZ Bldg.  
4-4-12 Iidabashi, Chiyoda-Ku  
Tokyo, 102 Japan  
Phone: 81-3-3237-7891  
FAX: 81-3-3237-8010

#### KOREA

##### Linear Technology Korea Branch

Namsong Building, #505  
Itaewon-Dong 260-199  
Yongsan-Ku, Seoul  
Korea  
Phone: 82-2-792-1617  
FAX: 82-2-792-1619

#### SINGAPORE

##### Linear Technology Pte. Ltd.

101 Boon Keng Road  
#02-15 Kallang Ind. Estates  
Singapore 1233  
Phone: 65-293-5322  
FAX: 65-292-0398

#### TAIWAN

##### Linear Technology Corporation

Rm. 801, No. 46, Sec. 2  
Chung Shan N. Rd.  
Taipei, Taiwan, R.O.C.  
Phone: 886-2-521-7575  
FAX: 886-2-562-2285

#### UNITED KINGDOM

##### Linear Technology (UK) Ltd.

The Coliseum, Riverside Way  
Camberley, Surrey GU15 3YL  
United Kingdom  
Phone: 44-276-677676  
FAX: 44-276-64851

### World Headquarters

##### Linear Technology Corporation

1630 McCarthy Blvd.  
Milpitas, CA 95035-7487  
Phone: (408) 432-1900  
FAX: (408) 434-0507



# 1.5A Low Dropout Positive Regulators Adjustable and Fixed 2.85V, 3.3V, 3.6V, 5V, 12V

## FEATURES

- Three-Terminal Adjustable or Fixed 2.85V, 3.3V, 3.6V, 5V, 12V
- Output Current of 1.5A, (0.5A for LT1086H)
- Operates Down to 1V Dropout
- Guaranteed Dropout Voltage at Multiple Current Levels
- Line Regulation: 0.015%
- Load Regulation: 0.1%
- 100% Thermal Limit Functional Test

## APPLICATIONS

- SCSI-2 Active Terminator
- High Efficiency Linear Regulators
- Post Regulators for Switching Supplies
- Constant Current Regulators
- Battery Chargers
- Microprocessor Supply

## DESCRIPTION

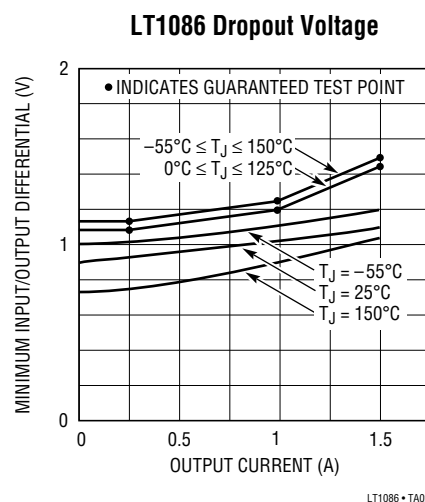
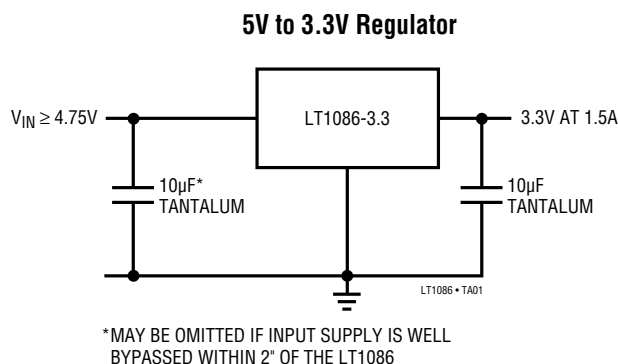
The LT1086 is designed to provide 1.5A with higher efficiency than currently available devices. All internal circuitry is designed to operate down to 1V input-to-output differential and the dropout voltage is fully specified as a function of load current. Dropout is guaranteed at a maximum of 1.5V at maximum output current, decreasing at lower load currents. On-chip trimming adjusts the reference/output voltage to 1%. Current limit is also trimmed, minimizing the stress on both the regulator and power source circuitry under overload conditions.

The LT1086 is pin compatible with older three-terminal adjustable regulators. A 10 $\mu$ F output capacitor is required on these new devices; however, this is usually included in most regulator designs.

A 2.85V output version is offered for SCSI-2 active termination. For surface mount applications see the LT1117-2.85 data sheet. For high current or lower dropout requirements see the LT1123-2.85 data sheet.

Unlike PNP regulators, where up to 10% of the output current is wasted as quiescent current, the LT1086 quiescent current flows into the load, increasing efficiency.

## TYPICAL APPLICATION



# LT1086 Series

## ABSOLUTE MAXIMUM RATINGS

Power Dissipation .....	Internally Limited
Input Voltage (Note 1) .....	30V
Operating Input Voltage	
Adjustable Devices .....	25V
2.85V Devices .....	18V
3.3V, 3.6V, and 5V Devices .....	20V
12V Devices .....	25V
Operating Junction Temperature Range	
“C” Grades	
Control Section .....	0°C to 125°C
Power Transistor .....	0°C to 150°C
“M” Grades	
Control Section .....	-55°C to 150°C
Power Transistor .....	-55°C to 200°C

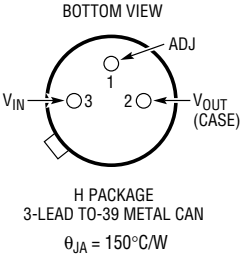
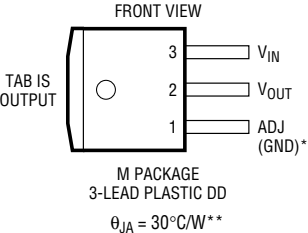
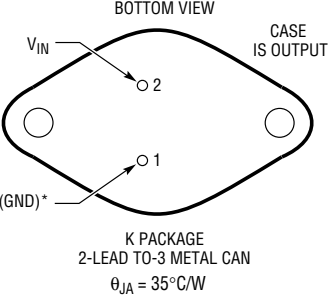
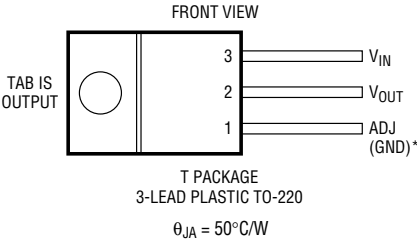
Storage Temperature Range .....	-65°C to 150°C
Lead Temperature (Soldering, 10 sec) .....	300°C

**Note 1:** Although the device's maximum operating voltage is limited, (18V for a 2.85V device, 20V for a 5V device, and 25V for adjustable and 12V devices) the devices are guaranteed to withstand transient input voltages up to 30V. For input voltages greater than the maximum operating input voltage some degradation of specifications will occur. For 5V and 12V devices operating at input/output voltage differentials greater than 15V, a minimum external load of 5mA is required to maintain regulation.

## PRECONDITIONING

100% Thermal Shutdown Functional Test.

## PACKAGE/ORDER INFORMATION

 <p>H PACKAGE 3-LEAD TO-39 METAL CAN <math>\theta_{JA} = 150^{\circ}\text{C/W}</math></p>	<table border="0"> <tr> <td>ORDER PART NUMBER</td> </tr> <tr> <td>LT1086MH</td> </tr> </table>	ORDER PART NUMBER	LT1086MH	 <p>M PACKAGE 3-LEAD PLASTIC DD <math>\theta_{JA} = 30^{\circ}\text{C/W}^{**}</math></p> <p>** WITH PACKAGE SOLDERED TO 0.5IN<sup>2</sup> COPPER AREA OVER BACKSIDE GROUND PLANE OR INTERNAL POWER PLANE. <math>\theta_{JA}</math> CAN VARY FROM 20°C/W TO &gt;40°C/W DEPENDING ON MOUNTING TECHNIQUE.</p>	<table border="0"> <tr> <td>ORDER PART NUMBER</td> </tr> <tr> <td>LT1086CM</td> </tr> <tr> <td>LT1086CM-3.3</td> </tr> <tr> <td>LT1086CM-3.6</td> </tr> </table>	ORDER PART NUMBER	LT1086CM	LT1086CM-3.3	LT1086CM-3.6								
ORDER PART NUMBER																	
LT1086MH																	
ORDER PART NUMBER																	
LT1086CM																	
LT1086CM-3.3																	
LT1086CM-3.6																	
 <p>K PACKAGE 2-LEAD TO-3 METAL CAN <math>\theta_{JA} = 35^{\circ}\text{C/W}</math></p>	<table border="0"> <tr> <td>ORDER PART NUMBER</td> </tr> <tr> <td>LT1086CK</td> </tr> <tr> <td>LT1086CK-5</td> </tr> <tr> <td>LT1086CK-12</td> </tr> <tr> <td>LT1086MK</td> </tr> <tr> <td>LT1086MK-5</td> </tr> <tr> <td>LT1086MK-12</td> </tr> </table>	ORDER PART NUMBER	LT1086CK	LT1086CK-5	LT1086CK-12	LT1086MK	LT1086MK-5	LT1086MK-12	 <p>T PACKAGE 3-LEAD PLASTIC TO-220 <math>\theta_{JA} = 50^{\circ}\text{C/W}</math></p>	<table border="0"> <tr> <td>ORDER PART NUMBER</td> </tr> <tr> <td>LT1086CT</td> </tr> <tr> <td>LT1086CT-2.85</td> </tr> <tr> <td>LT1086CT-3.3</td> </tr> <tr> <td>LT1086CT-3.6</td> </tr> <tr> <td>LT1086CT-5</td> </tr> <tr> <td>LT1086CT-12</td> </tr> </table>	ORDER PART NUMBER	LT1086CT	LT1086CT-2.85	LT1086CT-3.3	LT1086CT-3.6	LT1086CT-5	LT1086CT-12
ORDER PART NUMBER																	
LT1086CK																	
LT1086CK-5																	
LT1086CK-12																	
LT1086MK																	
LT1086MK-5																	
LT1086MK-12																	
ORDER PART NUMBER																	
LT1086CT																	
LT1086CT-2.85																	
LT1086CT-3.3																	
LT1086CT-3.6																	
LT1086CT-5																	
LT1086CT-12																	

\*For fixed versions.

Consult factory for Industrial grade parts.

## ELECTRICAL CHARACTERISTICS

PARAMETER	CONDITIONS		MIN	TYP	MAX	UNITS
Reference Voltage (Note 2)	LT1086, LT1086H $I_{OUT} = 10\text{mA}$ , $T_J = 25^\circ\text{C}$ , $(V_{IN} - V_{OUT}) = 3\text{V}$ (K Package Only) $10\text{mA} \leq I_{OUT} \leq 1.5\text{A}$ , (0.5A for LT1086H), $1.5\text{V} \leq (V_{IN} - V_{OUT}) \leq 15\text{V}$	●	1.238	1.250	1.262	V
		●	1.225	1.250	1.270	V
Output Voltage (Note 2)	LT1086-2.85 $I_{OUT} = 0\text{mA}$ , $T_J = 25^\circ\text{C}$ , $V_{IN} = 5\text{V}$ (K Package Only) $0\text{V} \leq I_{OUT} \leq 1.5\text{A}$ , $4.35\text{V} \leq V_{IN} \leq 18\text{V}$	●	2.82	2.85	2.88	V
		●	2.79	2.85	2.91	V
	LT1086-3.3 $V_{IN} = 5\text{V}$ , $I_{OUT} = 0\text{mA}$ , $T_J = 25^\circ\text{C}$ (K Package Only) $4.75\text{V} \leq V_{IN} \leq 15\text{V}$ , $0\text{V} \leq I_{OUT} \leq 1.5\text{A}$	●	3.267	3.300	3.333	V
		●	3.235	3.300	3.365	V
	LT1086-3.6 $V_{IN} = 5\text{V}$ , $I_{OUT} = 0\text{mA}$ , $T_J = 25^\circ\text{C}$ $5\text{V} \leq V_{IN} \leq 18\text{V}$ , $0 \leq I_{OUT} \leq 1.5\text{A}$ $4.75\text{V} \leq V_{IN} \leq 18\text{V}$ , $0 \leq I_{OUT} \leq 1\text{A}$ , $T_J \geq 0^\circ\text{C}$ $V_{IN} = 4.75\text{V}$ , $I_{OUT} = 1.5\text{A}$ , $T_J \geq 0^\circ\text{C}$	●	3.564	3.600	3.636	V
		●	3.500		3.672	V
●		3.500		3.672	V	
●		3.300		3.672	V	
LT1086-5 $I_{OUT} = 0\text{mA}$ , $T_J = 25^\circ\text{C}$ , $V_{IN} = 8\text{V}$ (K Package Only) $0 \leq I_{OUT} \leq 1.5\text{A}$ , $6.5\text{V} \leq V_{IN} \leq 20\text{V}$	●	4.950	5.000	5.050	V	
	●	4.900	5.000	5.100	V	
LT1086-12 $I_{OUT} = 0\text{mA}$ , $T_J = 25^\circ\text{C}$ , $V_{IN} = 15\text{V}$ (K Package Only) $0 \leq I_{OUT} \leq 1.5\text{A}$ , $13.5\text{V} \leq V_{IN} \leq 25\text{V}$	●	11.880	12.000	12.120	V	
	●	11.760	12.000	12.240	V	
Line Regulation	LT1086, LT1086H $I_{LOAD} = 10\text{mA}$ , $1.5\text{V} \leq (V_{IN} - V_{OUT}) \leq 15\text{V}$ , $T_J = 25^\circ\text{C}$	●		0.015	0.2	%
		●		0.035	0.2	%
	LT1086-2.85 $I_{OUT} = 0\text{mA}$ , $T_J = 25^\circ\text{C}$ , $4.35\text{V} \leq V_{IN} \leq 18\text{V}$	●		0.3	6	mV
		●		0.6	6	mV
	LT1086-3.3 $4.5\text{V} \leq V_{IN} \leq 18\text{V}$ , $I_{OUT} = 0\text{mA}$ , $T_J = 25^\circ\text{C}$	●		0.5	10	mV
		●		1.0	10	mV
LT1086-3.6 $4.75\text{V} \leq V_{IN} \leq 18\text{V}$ , $I_{OUT} = 0\text{mA}$ , $T_J = 25^\circ\text{C}$	●		0.5	10	mV	
	●		1.0	10	mV	
LT1086-5 $I_{OUT} = 0\text{mA}$ , $T_J = 25^\circ\text{C}$ , $6.5\text{V} \leq V_{IN} \leq 20\text{V}$	●		0.5	10	mV	
	●		1.0	10	mV	
LT1086-12 $I_{OUT} = 0\text{mA}$ , $T_J = 25^\circ\text{C}$ , $13.5\text{V} \leq V_{IN} \leq 25\text{V}$	●		1.0	25	mV	
	●		2.0	25	mV	
Load Regulation	LT1086, LT1086H $(V_{IN} - V_{OUT}) = 3\text{V}$ , $10\text{mA} \leq I_{OUT} \leq 1.5\text{A}$ , (0.5A for LT1086H) $T_J = 25^\circ\text{C}$ (Notes 1, 2)	●		0.1	0.3	%
		●		0.2	0.4	%
	LT1086-2.85 $V_{IN} = 5\text{V}$ , $0 \leq I_{OUT} \leq 1.5\text{A}$ , $T_J = 25^\circ\text{C}$ (Notes 1, 2)	●		3	12	mV
		●		6	20	mV
	LT1086-3.3 $V_{IN} = 5\text{V}$ , $0 \leq I_{OUT} \leq 1.5\text{A}$ , $T_J = 25^\circ\text{C}$ (Notes 1, 2)	●		3	15	mV
		●		7	25	mV
LT1086-3.6 $V_{IN} = 5.25\text{V}$ , $0 \leq I_{OUT} \leq 1.5\text{A}$ , $T_J = 25^\circ\text{C}$ (Notes 1, 2) $V_{IN} = 5\text{V}$ , $0 \leq I_{OUT} \leq 1\text{A}$ , $T_J = 25^\circ\text{C}$	●		3	15	mV	
	●		6	25	mV	
	●		2	15	mV	
	●		4	25	mV	
LT1086-5 $V_{IN} = 8\text{V}$ , $0 \leq I_{OUT} \leq 1.5\text{A}$ , $T_J = 25^\circ\text{C}$ (Notes 1, 2)	●		5	20	mV	
	●		10	35	mV	
LT1086-12 $V_{IN} = 15\text{V}$ , $0 \leq I_{OUT} \leq 1.5\text{A}$ , $T_J = 25^\circ\text{C}$ (Notes 1, 2)	●		12	36	mV	
	●		24	72	mV	
Dropout Voltage ( $V_{IN} - V_{OUT}$ )	LT1086/-2.85/-3.3/-3.6/-5/-12 $\Delta V_{OUT}$ , $\Delta V_{REF} = 1\%$ , $I_{OUT} = 1.5\text{A}$ (Note 3)	●		1.3	1.5	V
		●		0.95	1.25	V
	LT1086H $\Delta V_{REF} = 1\%$ , $I_{OUT} = 0.5\text{A}$ (Note 3)	●		0.95	1.25	V

## ELECTRICAL CHARACTERISTICS

PARAMETER	CONDITIONS		MIN	TYP	MAX	UNITS
Current Limit	LT1086/-2.85/-3.3/-3.6/-5/-12 $(V_{IN} - V_{OUT}) = 5V$ $(V_{IN} - V_{OUT}) = 25V$	●	1.50	2.00	2.8	A
		●	0.05	0.15		A
	LT1086H $(V_{IN} - V_{OUT}) = 5V$ $(V_{IN} - V_{OUT}) = 25V$	●	0.50	0.700	1.2	A
		●	0.02	0.075		A
Minimum Load Current	LT1086/LT1086H $(V_{IN} - V_{OUT}) = 25V$ (Note 4)	●		5	10	mA
Quiescent Current	LT1086-2.85 $V_{IN} \leq 18V$	●		5	10	mA
	LT1086-3.3 $V_{IN} \leq 18V$	●		5	10	mA
	LT1086-3.6 $V_{IN} \leq 18V$	●		5	10	mA
	LT1086-5 $V_{IN} \leq 20V$	●		5	10	mA
	LT1086-12 $V_{IN} \leq 25V$	●		5	10	mA
Thermal Regulation	$T_A = 25^\circ C$ , 30ms pulse			0.008	0.04	%/W
Ripple Rejection	$f = 120Hz$ , $C_{OUT} = 25\mu F$ Tantalum, $I_{OUT} = 1.5A$ , ( $I_{OUT} = 0.5A$ for LT1086H) LT1086, LT1086H $C_{ADJ} = 25\mu F$ , $(V_{IN} - V_{OUT}) = 3V$	●	60	75		dB
	LT1086-2.85 $V_{IN} = 6V$	●	60	72		dB
	LT1086-3.3 $V_{IN} = 6.3V$	●	60	72		dB
	LT1086-3.6 $V_{IN} = 6.6V$	●	60	72		dB
	LT1086-5 $V_{IN} = 8V$	●	60	68		dB
	LT1083-12 $V_{IN} = 15V$	●	54	60		dB
	Adjust Pin Current	LT1086, LT1086H $T_J = 25^\circ C$	●		55	
					120	$\mu A$
Adjust Pin Current Change	LT1086, LT1086H $10mA \leq I_{OUT} \leq 1.5A$ , (0.5A for LT1086H) $1.5V \leq (V_{IN} - V_{OUT}) \leq 15V$	●		0.2	5	$\mu A$
Temperature Stability		●		0.5		%
Long Term Stability	$T_A = 125^\circ C$ , 1000 Hrs.			0.3	1	%
RMS Output Noise (% of $V_{OUT}$ )	$T_A = 25^\circ C$ , $10Hz \leq f \leq 10kHz$			0.003		%
Thermal Resistance Junction-to-Case	H Package: Control Circuitry/Power Transistor				15/20	$^\circ C/W$
	K Package: Control Circuitry/Power Transistor				1.7/4.0	$^\circ C/W$
	M Package: Control Circuitry/Power Transistor				1.5/4.0	$^\circ C/W$
	T Package: Control Circuitry/Power Transistor				1.5/4.0	$^\circ C/W$

The ● denotes the specifications which apply over the full operating temperature range.

**Note 1:** See thermal regulation specifications for changes in output voltage due to heating effects. Line and load regulation are measured at a constant junction temperature by low duty cycle pulse testing. Load regulation is measured at the output lead  $\approx 1/8$ " from the package.

**Note 2:** Line and load regulation are guaranteed up to the maximum power dissipation of 15W (3W for the LT1086H). Power dissipation is determined

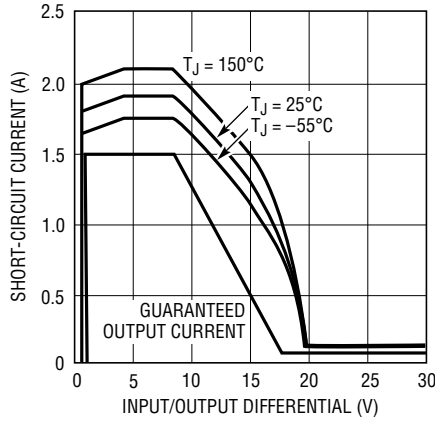
by the input/output differential and the output current. Guaranteed maximum power dissipation will not be available over the full input/output range. See Short-Circuit Current curve for available output current.

**Note 3:** Dropout voltage is specified over the full output current range of the device. Test points and limits are shown on the Dropout Voltage curve.

**Note 4:** Minimum load current is defined as the minimum output current required to maintain regulation. At 25V input/output differential the device is guaranteed to regulate if the output current is greater than 10mA.

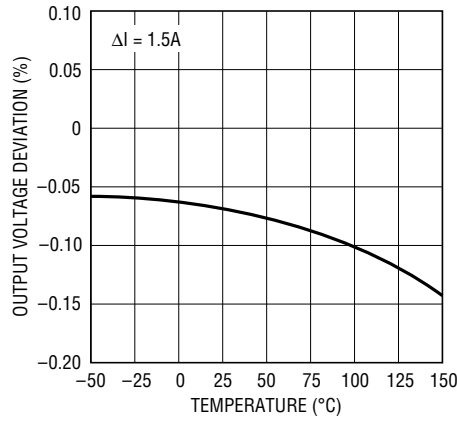
# TYPICAL PERFORMANCE CHARACTERISTICS

**LT1086 Short-Circuit Current**



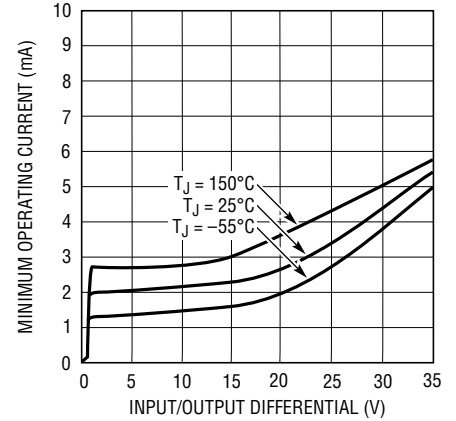
LT1086 • TPC01

**LT1086 Load Regulation**



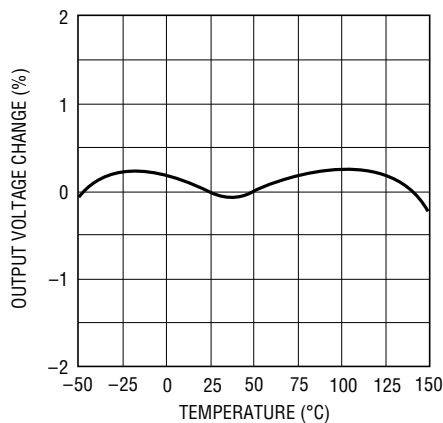
LT1086 • TPC02

**Minimum Operating Current (Adjustable Device)**



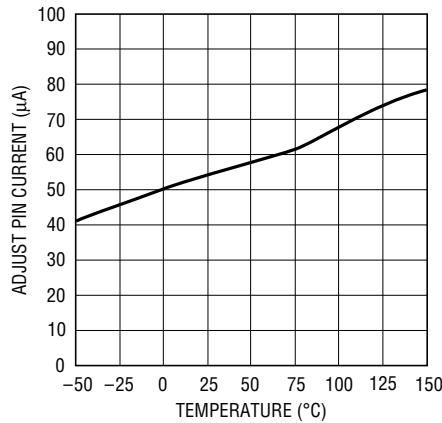
LT1086 • TPC03

**Temperature Stability**



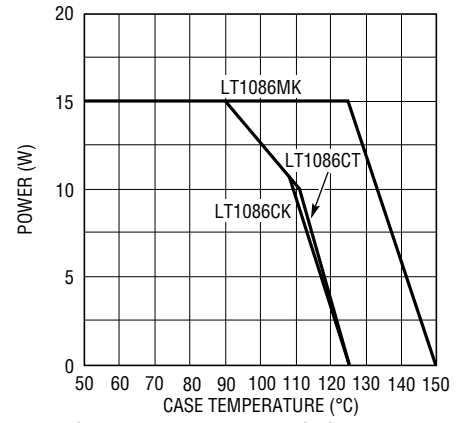
LT1086 • TPC04

**Adjust Pin Current**



LT1086 • TPC05

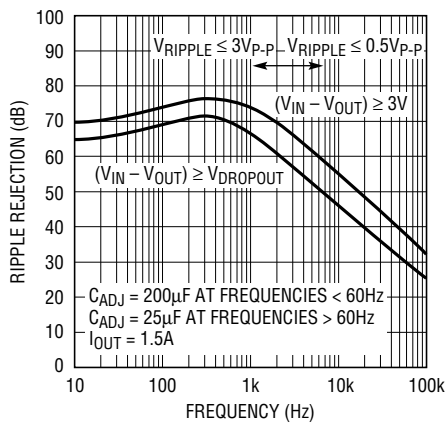
**LT1086 Maximum Power Dissipation\***



\*AS LIMITED BY MAXIMUM JUNCTION TEMPERATURE

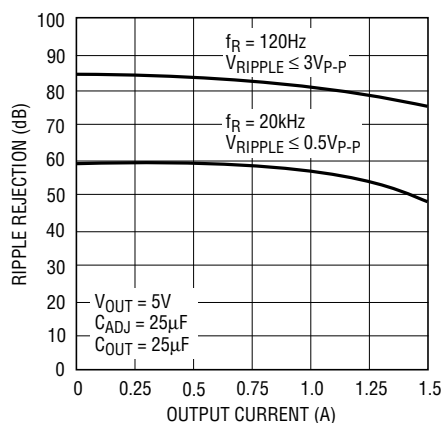
LT1086 • TPC06

**LT1086 Ripple Rejection**



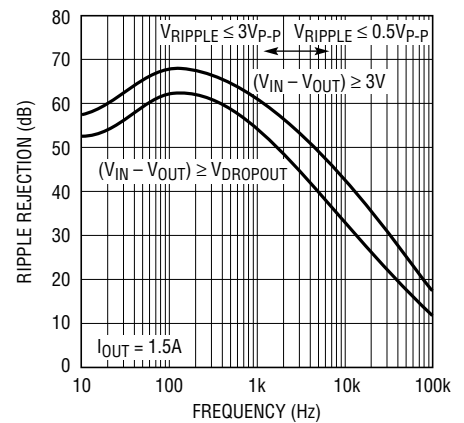
LT1086 • TPC07

**LT1086 Ripple Rejection vs Current**



LT1086 • TPC08

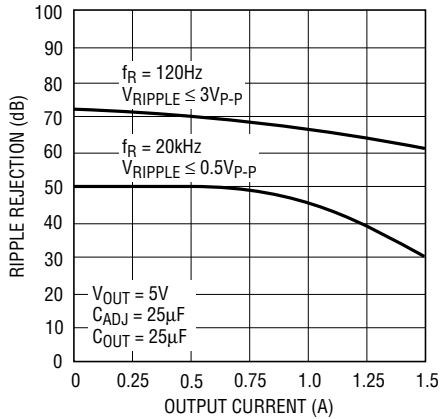
**LT1086-5 Ripple Rejection**



LT1086 • TPC09

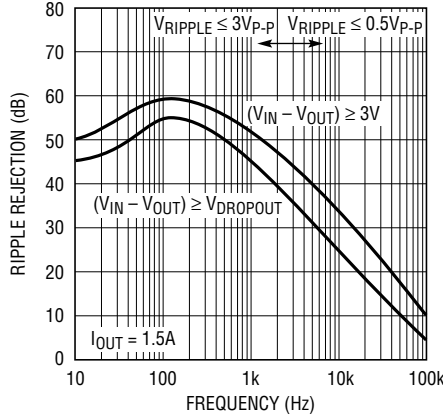
## TYPICAL PERFORMANCE CHARACTERISTICS

### LT1086-5 Ripple Rejection vs Current



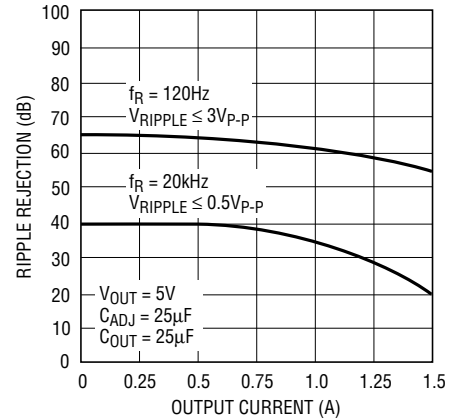
LT1086 • TPC10

### LT1086-12 Ripple Rejection



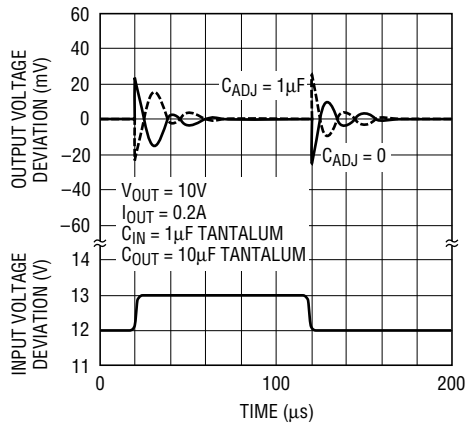
LT1086 • TPC11

### LT1086-12 Ripple Rejection vs Current



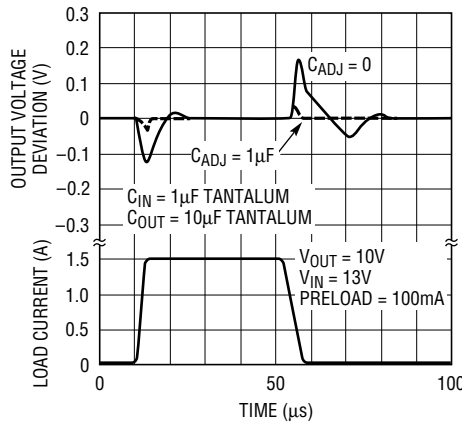
LT1086 • TPC12

### LT1086 Line Transient Response



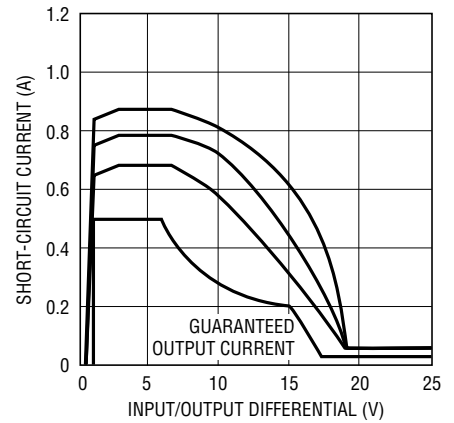
LT1086 • TPC13

### LT1086 Load Transient Response



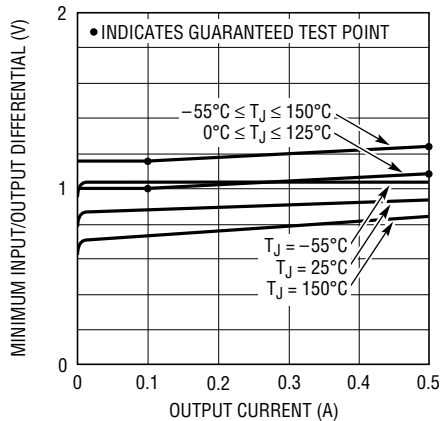
LT1086 • TPC13

### LT1086H Short-Circuit Current



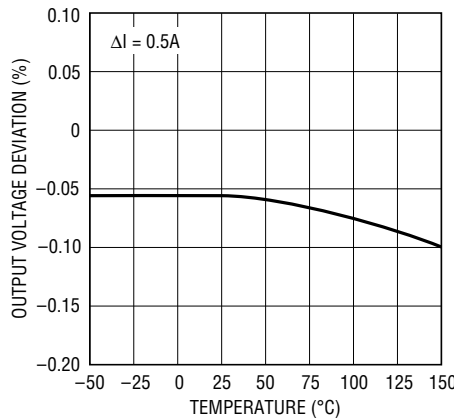
LT1086 • TPC15

### LT1086H Dropout Voltage



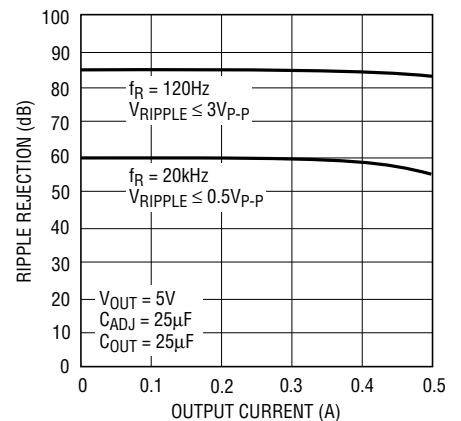
LT1086 • TPC16

### LT1086H Load Regulation



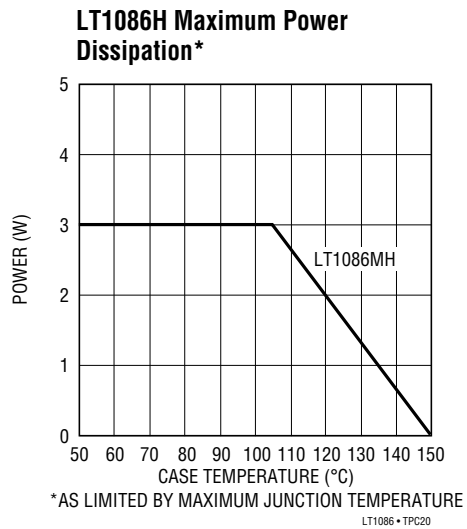
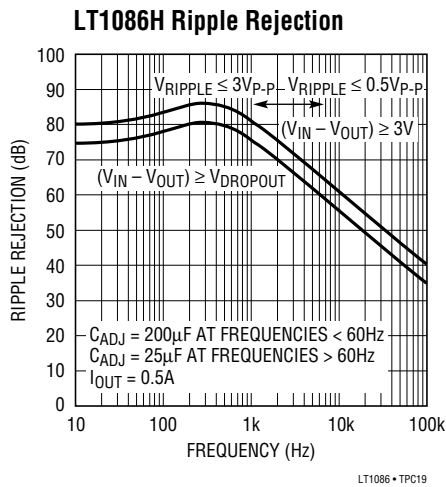
LT1086 • TPC17

### LT1086H Ripple Rejection vs Current

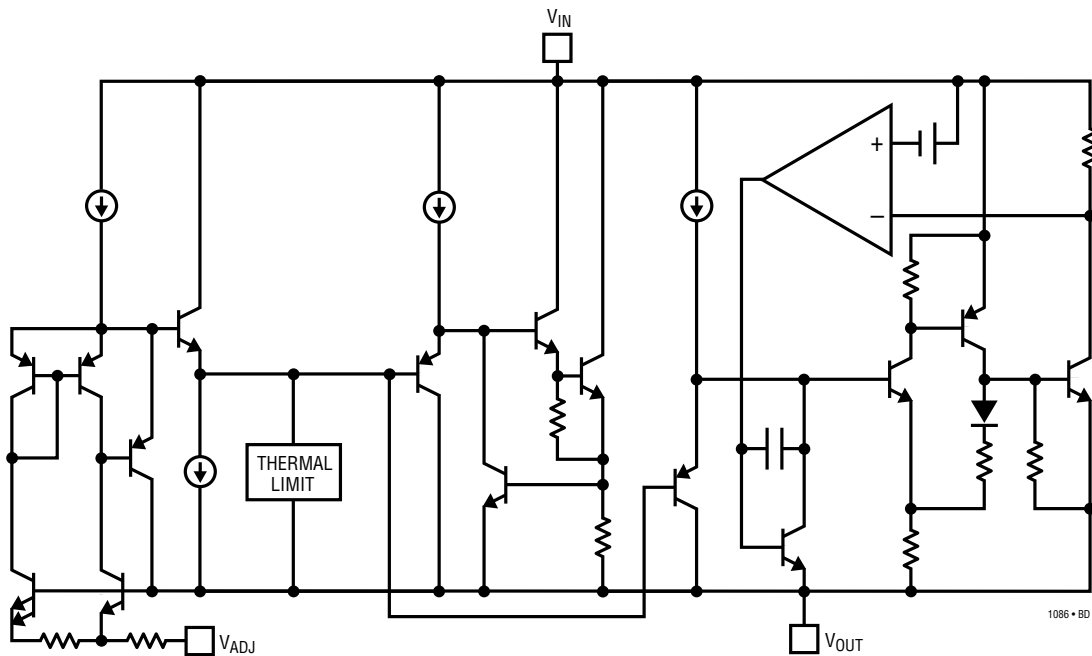


LT1086 • TPC18

# TYPICAL PERFORMANCE CHARACTERISTICS



# BLOCK DIAGRAM



## APPLICATIONS INFORMATION

The LT1086 family of three-terminal regulators is easy to use and has all the protection features that are expected in high performance voltage regulators. They are short-circuit protected, have safe area protection as well as thermal shutdown to turn off the regulator should the temperature exceed about 165°C at the sense point.

These regulators are pin compatible with older three-terminal adjustable devices, offer lower dropout voltage and more precise reference tolerance. Further, the reference stability with temperature is improved over older types of regulators. The only circuit difference between using the LT1086 family and older regulators is that they require an output capacitor for stability.

### Stability

The circuit design used in the LT1086 family requires the use of an output capacitor as part of the device frequency compensation. For all operating conditions, the addition of 150µF aluminum electrolytic or a 22µF solid tantalum on the output will ensure stability. Normally capacitors much smaller than this can be used with the LT1086. Many different types of capacitors with widely varying characteristics are available. These capacitors differ in capacitor tolerance (sometimes ranging up to ±100%), equivalent series resistance, and capacitance temperature coefficient. The 150µF or 22µF values given will ensure stability.

When using the LT1086 the adjustment terminal can be bypassed to improve ripple rejection. When the adjustment terminal is bypassed the requirement for an output capacitor increases. The values of 22µF tantalum or 150µF aluminum cover all cases of bypassing the adjustment terminal. For fixed voltage devices or adjustable devices without an adjust pin bypass capacitor, smaller output capacitors can be used with equally good results and the table below shows approximately what size capacitors are needed to ensure stability.

### Recommended Capacitor Values

INPUT	OUTPUT	ADJUSTMENT
10µF	10µF Tantalum, 50µF Aluminum	None
10µF	22µF Tantalum, 150µF Aluminum	20µF

Normally, capacitor values on the order of 100µF are used in the output of many regulators to ensure good transient

response with heavy load current changes. Output capacitance can be increased without limit and larger values of output capacitor further improve stability and transient response of the LT1086 regulators.

Another possible stability problem that can occur in monolithic IC regulators is current limit oscillations. These can occur because in current limit, the safe area protection exhibits a negative impedance. The safe area protection decreases the current limit as the input-to-output voltage increases. That is the equivalent of having a negative resistance since increasing voltage causes current to decrease. Negative resistance during current limit is not unique to the LT1086 series and has been present on all power IC regulators. The value of negative resistance is a function of how fast the current limit is folded back as input-to-output voltage increases. This negative resistance can react with capacitors or inductors on the input to cause oscillation during current limiting. Depending on the value of series resistance, the overall circuitry may end up unstable. Since this is a system problem, it is not necessarily easy to solve; however it does not cause any problems with the IC regulator and can usually be ignored.

### Protection Diodes

In normal operation the LT1086 family does not need any protection diodes. Older adjustable regulators required protection diodes between the adjustment pin and the output and from the output to the input to prevent overstressing the die. The internal current paths on the LT1086 adjustment pin are limited by internal resistors. Therefore, even with capacitors on the adjustment pin, no protection diode is needed to ensure device safety under short-circuit conditions.

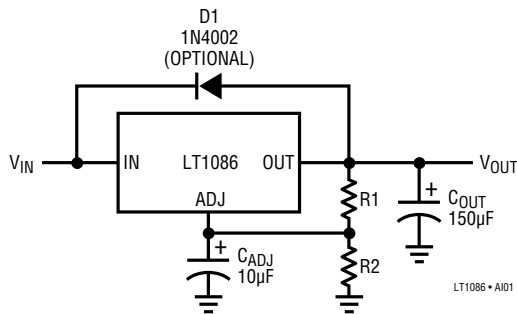
Diodes between input and output are usually not needed. The internal diode between the input and the output pins of the LT1086 family can handle microsecond surge currents of 10A to 20A. Even with large output capacitances, it is very difficult to get those values of surge currents in normal operations. Only with high value output capacitors such as 1000µF to 5000µF, and with the input pin instantaneously shorted to ground, can damage occur. A crowbar circuit at the input of the LT1086 can generate those kinds of currents and a diode from output to input is then recommended. Normal power supply cycling or even



## APPLICATIONS INFORMATION

plugging and unplugging in the system will not generate current large enough to do any damage.

The adjustment pin can be driven on a transient basis  $\pm 25V$ , with respect to the output without any device degradation. Of course as with any IC regulator, exceeding the maximum input-to-output voltage differential causes the internal transistors to break down and none of the protection circuitry is functional.



### Overload Recovery

Like any of the IC power regulators, the LT1086 has safe area protection. The safe area protection decreases the current limit as input-to-output voltage increases and keeps the power transistor inside a safe operating region for all values of input-to-output voltage. The LT1086 protection is designed to provide some output current at all values of input-to-output voltage up to the device breakdown.

When power is first turned on, as the input voltage rises, the output follows the input, allowing the regulator to start up into very heavy loads. During the start-up, as the input voltage is rising, the input-to-output voltage differential remains small, allowing the regulator to supply large output currents. With high input voltage, a problem can occur wherein removal of an output short will not allow the output voltage to recover. Older regulators such as the 7800 series also exhibited this phenomenon, so it is not unique to the LT1086.

The problem occurs with a heavy output load when the input voltage is high and the output voltage is low, such as immediately after a removal of a short. The load line for such a load may intersect the output current curve at two points. If this happens there are two stable output operating points for the regulator. With this double intersection

the power supply may need to be cycled down to zero and brought up again to make the output recover.

### Ripple Rejection

For the LT1086 the typical curves for ripple rejection reflect values for a bypassed adjustment pin. This curve will be true for all values of output voltage. For proper bypassing and ripple rejection approaching the values shown, the impedance of the adjust pin capacitor at the ripple frequency should equal the value of R1, (normally 100 $\Omega$  to 120 $\Omega$ ). The size of the required adjust pin capacitor is a function of the input ripple frequency. At 120Hz the adjust pin capacitor should be 13 $\mu F$  if R1 = 100 $\Omega$ . At 10kHz only 0.16 $\mu F$  is needed.

For circuits without an adjust pin bypass capacitor the ripple rejection will be a function of output voltage. The output ripple will increase directly as a ratio of the output voltage to the reference voltage ( $V_{OUT}/V_{REF}$ ). For example, with the output voltage equal to 5V and no adjust pin capacitor, the output ripple will be higher by the ratio of 5V/1.25V or four times larger. Ripple rejection will be degraded by 12dB from the value shown on the LT1086 curve. Typical curves are provided for the 5V and 12V devices since the adjust pin is not available.

### Output Voltage

The LT1086 develops a 1.25V reference voltage between the output and the adjust terminal (see Figure 1). By placing a resistor R1 between these two terminals, a constant current is caused to flow through R1 and down through R2 to set the overall output voltage. Normally this current is chosen to be the specified minimum load current of 10mA. Because  $I_{ADJ}$  is very small and constant when compared with the current through R1, it represents a small error and can usually be ignored. For fixed voltage devices R1 and R2 are included in the device.

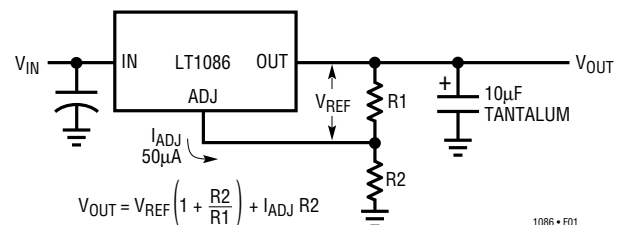


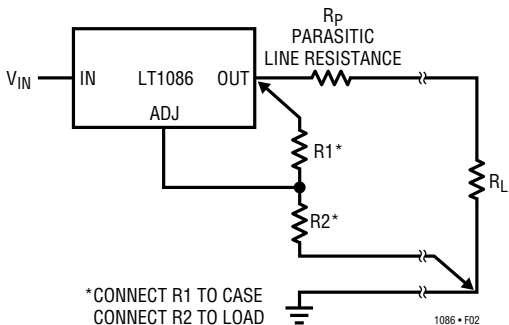
Figure 1. Basic Adjustable Regulator

## APPLICATIONS INFORMATION

### Load Regulation

Because the LT1086 is a three-terminal device, it is not possible to provide true remote load sensing. Load regulation will be limited by the resistance of the wire connecting the regulator to the load. The data sheet specification for load regulation is measured at the bottom of the package. Negative side sensing is a true Kelvin connection, with the bottom of the output divider returned to the negative side of the load. Although it may not be immediately obvious, best load regulation is obtained when the top of the resistor divider R1 is connected *directly* to the case *not to the load*. This is illustrated in Figure 2. If R1 were connected to the load, the effective resistance between the regulator and the load would be:

$$R_P \times \frac{R_2 + R_1}{R_1}, R_P = \text{Parasitic Line Resistance}$$



**Figure 2. Connections for Best Load Regulation**

Connected as shown  $R_P$  is not multiplied by the divider ratio.  $R_P$  is about  $0.004\Omega$  per foot using 16-gauge wire. This translates to  $4\text{mV/ft}$  at  $1\text{A}$  load current, so it is important to keep the positive lead between regulator and load as short as possible and use large wire or PC board traces.

Note that the resistance of the package leads for the H package  $\approx 0.06\Omega/\text{in}$ . While it is usually not possible to connect the load directly to the package, it is possible to connect larger wire or PC traces close to the case to avoid voltage drops that will degrade load regulation.

For fixed voltage devices the top of R1 is internally Kelvin connected and the ground pin can be used for negative side sensing.

### Thermal Considerations

The LT1086 series of regulators have internal power and thermal limiting circuitry designed to protect the device under overload conditions. For continuous normal load conditions however, maximum junction temperature ratings must not be exceeded. It is important to give careful consideration to all sources of thermal resistance from junction to ambient. This includes junction-to-case, case-to-heat sink interface, and heat sink resistance itself. New thermal resistance specifications have been developed to more accurately reflect device temperature and ensure safe operating temperatures. The data section for these new regulators provides a separate thermal resistance and maximum junction temperature for both the *Control Section* and the *Power Transistor*. Previous regulators, with a single junction-to-case thermal resistance specification, used an average of the two values provided here and therefore could allow excessive junction temperatures under certain conditions of ambient temperature and heat sink resistance. To avoid this possibility, calculations should be made for both sections to ensure that both thermal limits are met.

For example, using a LT1086CK (TO-3, Commercial) and assuming:

$$\begin{aligned} V_{IN}(\text{max continuous}) &= 9\text{V}, V_{OUT} = 5\text{V}, I_{OUT} = 1\text{A}, \\ T_A &= 75^\circ\text{C}, \theta_{\text{HEAT SINK}} = 3^\circ\text{C/W}, \\ \theta_{\text{CASE-TO-HEAT SINK}} &= 0.2^\circ\text{C/W for K package with thermal compound.} \end{aligned}$$

Power dissipation under these conditions is equal to:

$$P_D = (V_{IN} - V_{OUT}) (I_{OUT}) = 4\text{W}$$

Junction temperature will be equal to:

$$T_J = T_A + P_D (\theta_{\text{HEAT SINK}} + \theta_{\text{CASE-TO-HEAT SINK}} + \theta_{JC})$$

For the Control Section:

$$\begin{aligned} T_J &= 75^\circ\text{C} + 4\text{W} (3^\circ\text{C/W} + 0.2^\circ\text{C/W} + 0.7^\circ\text{C/W}) = 95^\circ\text{C} \\ 95^\circ\text{C} &< 125^\circ\text{C} = T_{J\text{MAX}} \text{ (Control Section Commercial Range)} \end{aligned}$$

For the Power Transistor:

$$\begin{aligned} T_J &= 75^\circ\text{C} + 4\text{W} (3^\circ\text{C/W} + 0.2^\circ\text{C/W} + 4^\circ\text{C/W}) = 103.8^\circ\text{C} \\ 103.8^\circ\text{C} &< 150^\circ\text{C} = T_{J\text{MAX}} \text{ (Power Transistor Commercial Range)} \end{aligned}$$

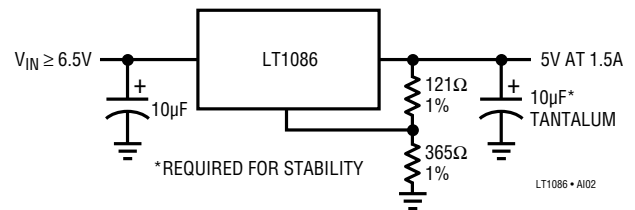
## APPLICATIONS INFORMATION

In both cases the junction temperature is below the maximum rating for the respective sections, ensuring reliable operation.

Junction-to-case thermal resistance for the K and T packages is specified from the IC junction to the bottom of the case directly below the die. This is the lowest resistance path for heat flow. While this is also the lowest resistance path for the H package, most available heat sinks for this package are of the clip-on type that attach to the cap of the package. The data sheet specification for thermal resistance for the H package is therefore written to reflect this. In all cases proper mounting is required to ensure the best possible heat flow from the die to the heat sink. Thermal compound at the case-to-heat sink interface is strongly recommended. In the case of the H package, mounting the

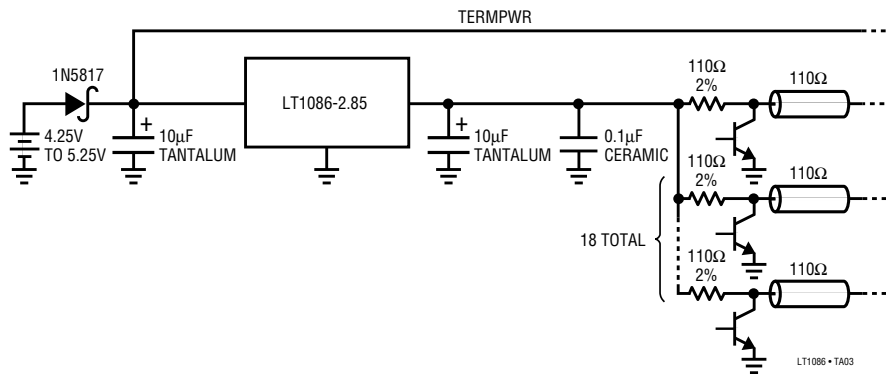
device so that heat can flow out the bottom of the case will significantly lower thermal resistance ( $\approx$  a factor of 2). If the case of the device must be electrically isolated, a thermally conductive spacer can be used as long as its added contribution to thermal resistance is considered. Note that the case of all devices in this series is electrically connected to the output.

5V, 1.5A Regulator

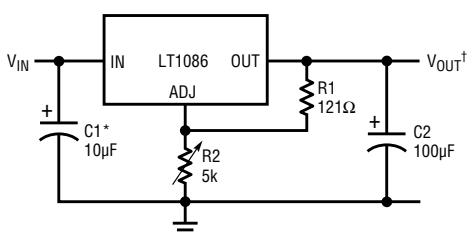


## TYPICAL APPLICATIONS

SCSI-2 Active Termination



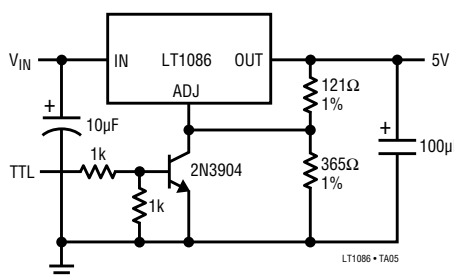
1.2V to 15V Adjustable Regulator



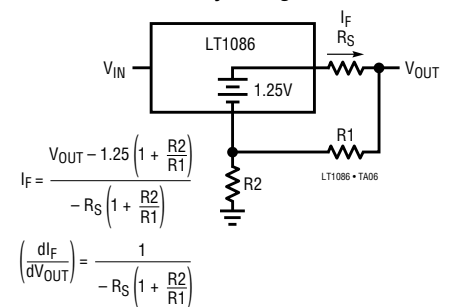
\* NEEDED IF DEVICE IS FAR FROM FILTER CAPACITORS

$$V_{OUT} = 1.25V \left(1 + \frac{R2}{R1}\right)$$

5V Regulator with Shutdown

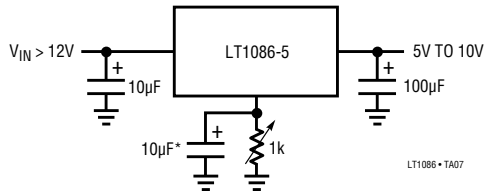


Battery Charger



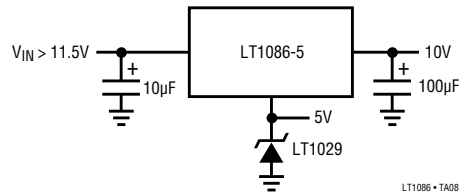
## TYPICAL APPLICATIONS

### Adjusting Output Voltage of Fixed Regulators

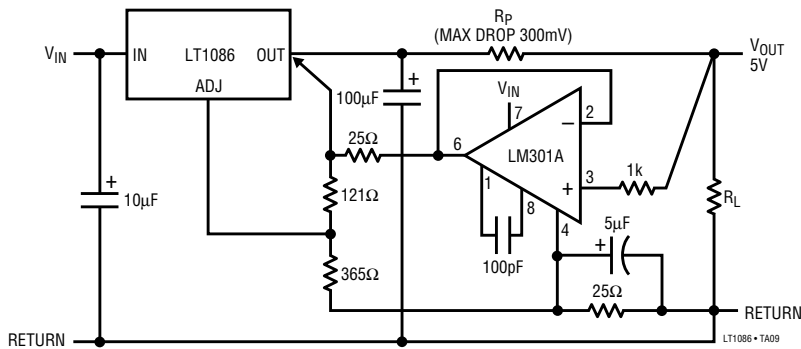


\*OPTIONAL IMPROVES RIPPLE REJECTION

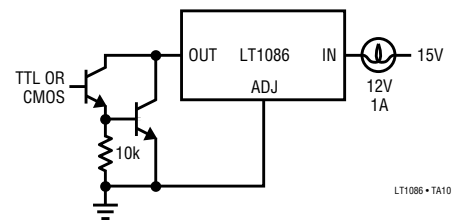
### Regulator with Reference



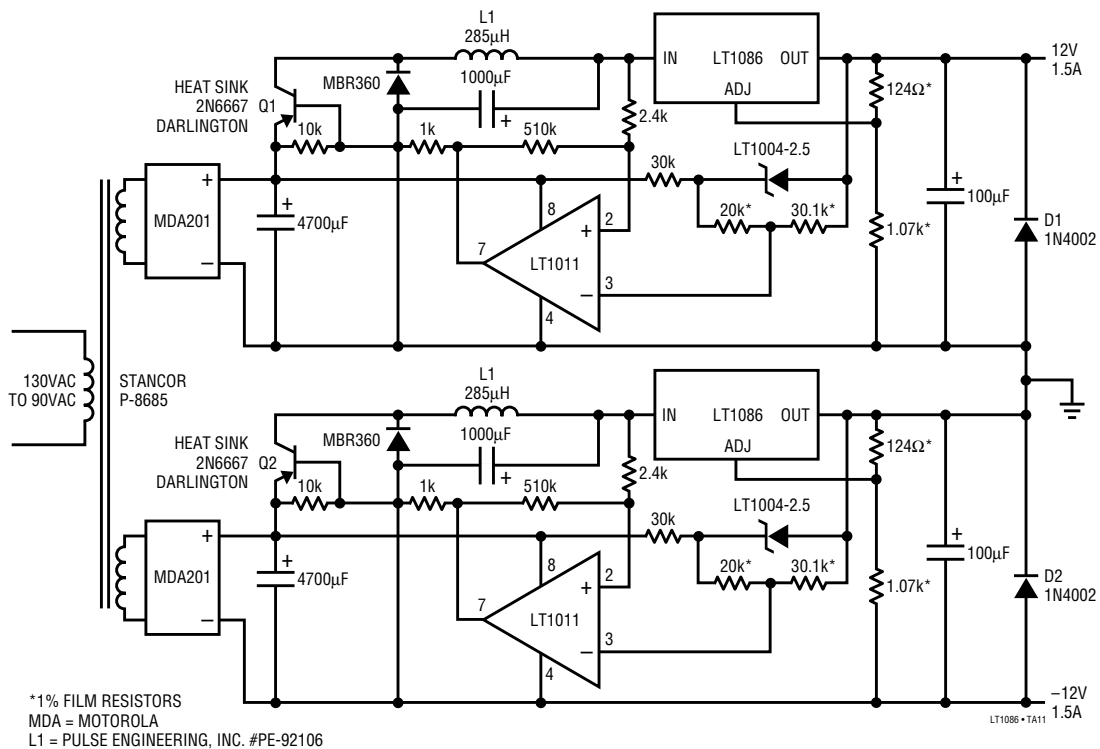
### Remote Sensing



### Protected High Current Lamp Driver



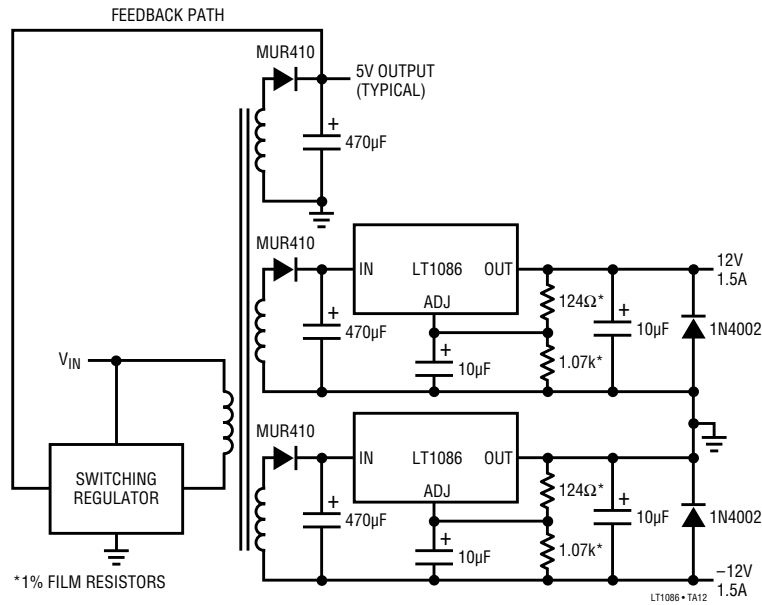
### High Efficiency Dual Linear Supply



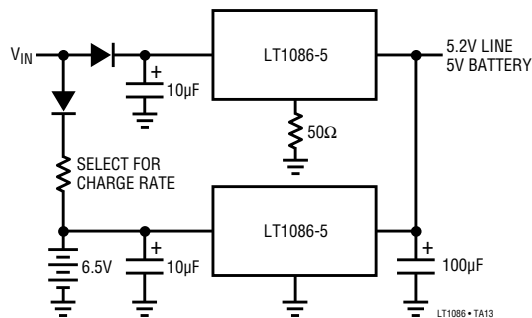
\*1% FILM RESISTORS  
 MDA = MOTOROLA  
 L1 = PULSE ENGINEERING, INC. #PE-92106

# TYPICAL APPLICATIONS

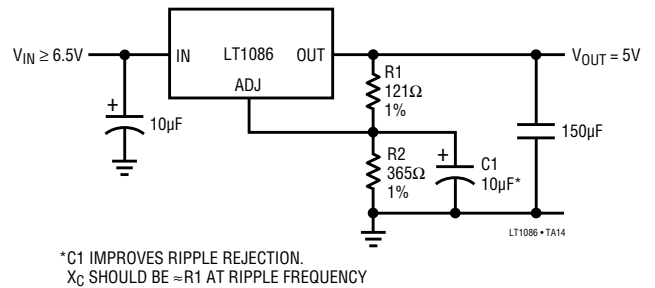
## High Efficiency Dual Supply



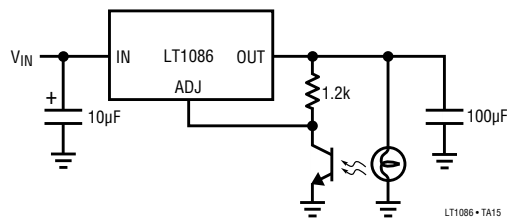
## Battery Backed Up Regulated Supply



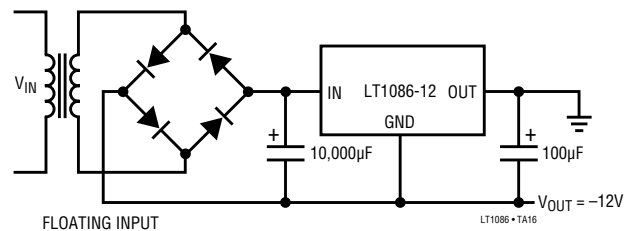
## Improving Ripple Rejection



## Automatic Light Control



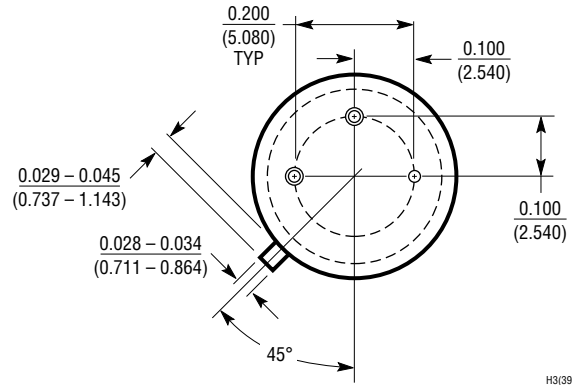
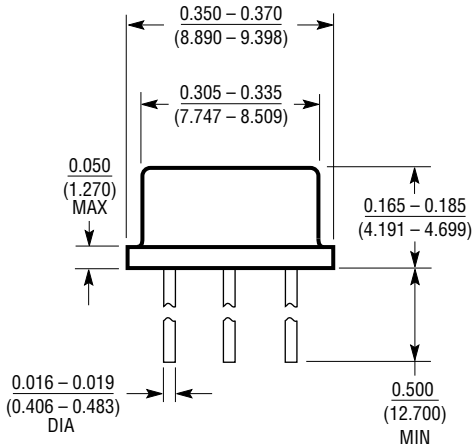
## Improving Ripple Rejection



**PACKAGE DESCRIPTION**

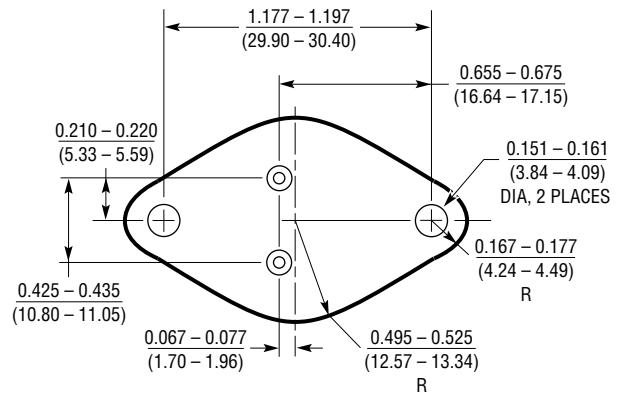
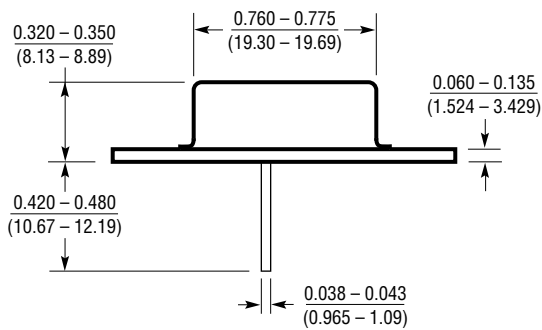
Dimension in inches (millimeters) unless otherwise noted.

**H Package  
3-Lead TO-39 Metal Can**



H3(39) 0592

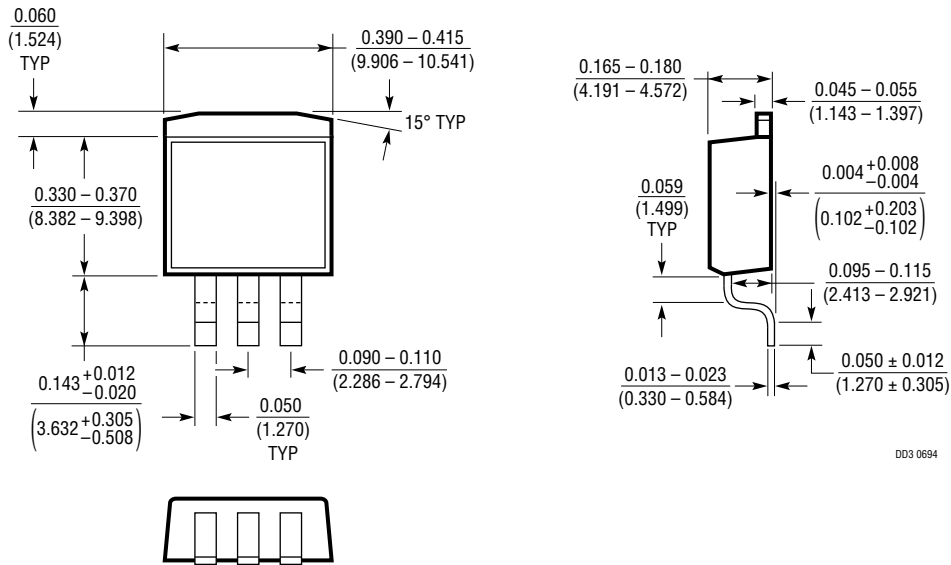
**K Package  
2-Lead TO-3 Metal Can**



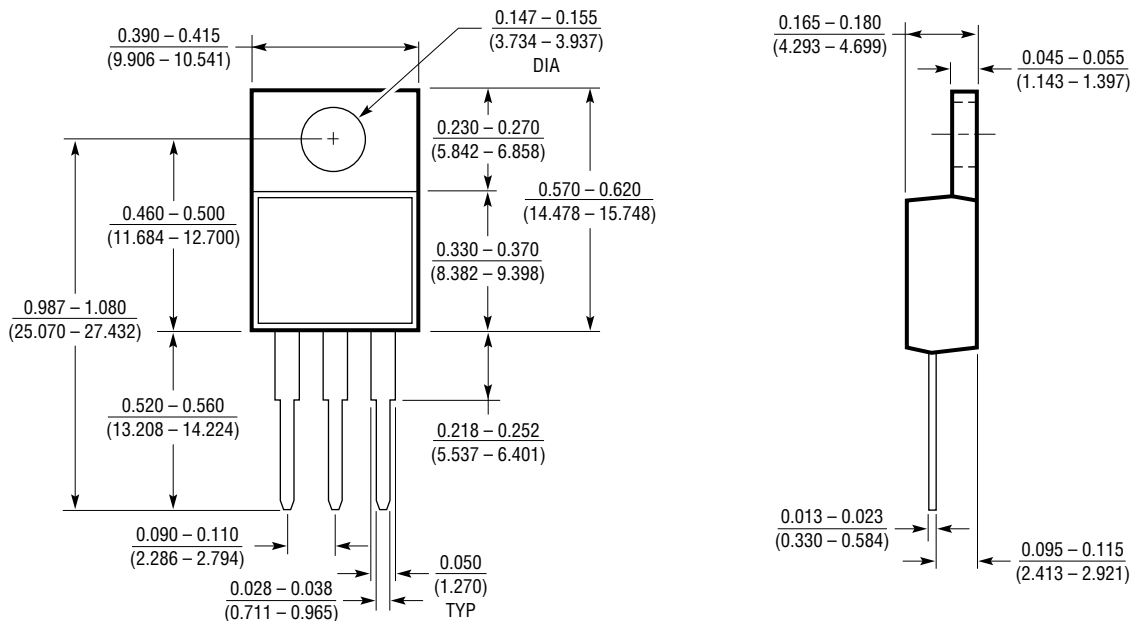
K2 0594

**PACKAGE DESCRIPTION** Dimension in inches (millimeters) unless otherwise noted.

**M Package  
3-Lead Plastic DD**



**T Package  
3-Lead TO-220 Plastic**



## U.S. Area Sales Offices

### NORTHEAST REGION

**Linear Technology Corporation**  
One Oxford Valley  
2300 E. Lincoln Hwy., Suite 306  
Langhorne, PA 19047  
Phone: (215) 757-8578  
FAX: (215) 757-5631

### Linear Technology Corporation

266 Lowell St., Suite B-8  
Wilmington, MA 01887  
Phone: (508) 658-3881  
FAX: (508) 658-2701

### SOUTHEAST REGION

**Linear Technology Corporation**  
17060 Dallas Parkway  
Suite 208  
Dallas, TX 75248  
Phone: (214) 733-3071  
FAX: (214) 380-5138

### CENTRAL REGION

**Linear Technology Corporation**  
Chesapeake Square  
229 Mitchell Court, Suite A-25  
Addison, IL 60101  
Phone: (708) 620-6910  
FAX: (708) 620-6977

### SOUTHWEST REGION

**Linear Technology Corporation**  
22141 Ventura Blvd.  
Suite 206  
Woodland Hills, CA 91364  
Phone: (818) 703-0835  
FAX: (818) 703-0517

### NORTHWEST REGION

**Linear Technology Corporation**  
782 Sycamore Dr.  
Milpitas, CA 95035  
Phone: (408) 428-2050  
FAX: (408) 432-6331

## International Sales Offices

### FRANCE

**Linear Technology S.A.R.L.**  
Immeuble "Le Quartz"  
58 Chemin de la Justice  
92290 Chatenay Malabry  
France  
Phone: 33-1-41079555  
FAX: 33-1-46314613

### GERMANY

**Linear Techonolgy GmbH**  
Untere Hauptstr. 9  
D-85386 Eching  
Germany  
Phone: 49-89-3197410  
FAX: 49-89-3194821

### JAPAN

**Linear Technology KK**  
5F YZ Bldg.  
4-4-12 Iidabashi, Chiyoda-Ku  
Tokyo, 102 Japan  
Phone: 81-3-3237-7891  
FAX: 81-3-3237-8010

### KOREA

**Linear Technology Korea Branch**  
Namsong Building, #505  
Itaewon-Dong 260-199  
Yongsan-Ku, Seoul  
Korea  
Phone: 82-2-792-1617  
FAX: 82-2-792-1619

### SINGAPORE

**Linear Technology Pte. Ltd.**  
101 Boon Keng Road  
#02-15 Kallang Ind. Estates  
Singapore 1233  
Phone: 65-293-5322  
FAX: 65-292-0398

### TAIWAN

**Linear Technology Corporation**  
Rm. 801, No. 46, Sec. 2  
Chung Shan N. Rd.  
Taipei, Taiwan, R.O.C.  
Phone: 886-2-521-7575  
FAX: 886-2-562-2285

### UNITED KINGDOM

**Linear Technology (UK) Ltd.**  
The Coliseum, Riverside Way  
Camberley, Surrey GU15 3YL  
United Kingdom  
Phone: 44-276-677676  
FAX: 44-276-64851

## World Headquarters

**Linear Technology Corporation**  
1630 McCarthy Blvd.  
Milpitas, CA 95035-7487  
Phone: (408) 432-1900  
FAX: (408) 434-0507

0294